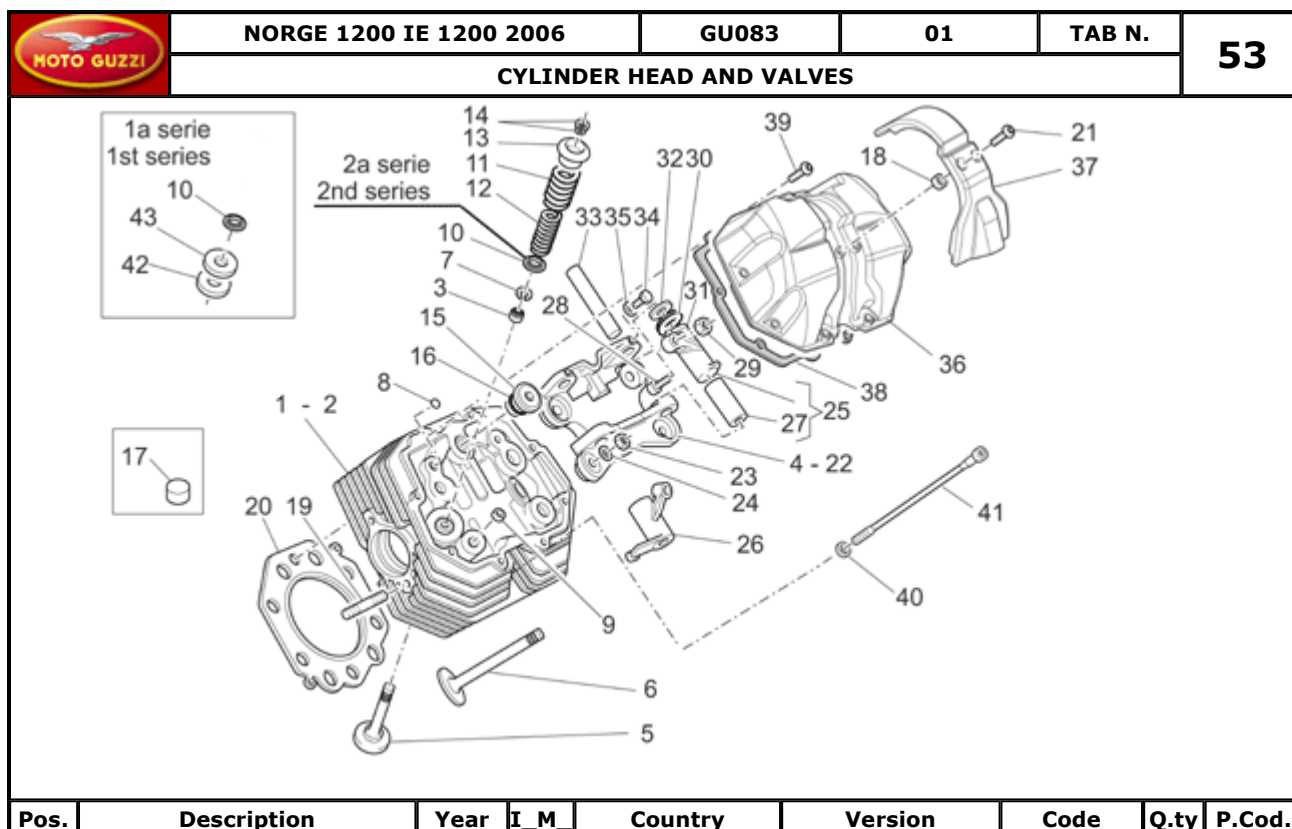


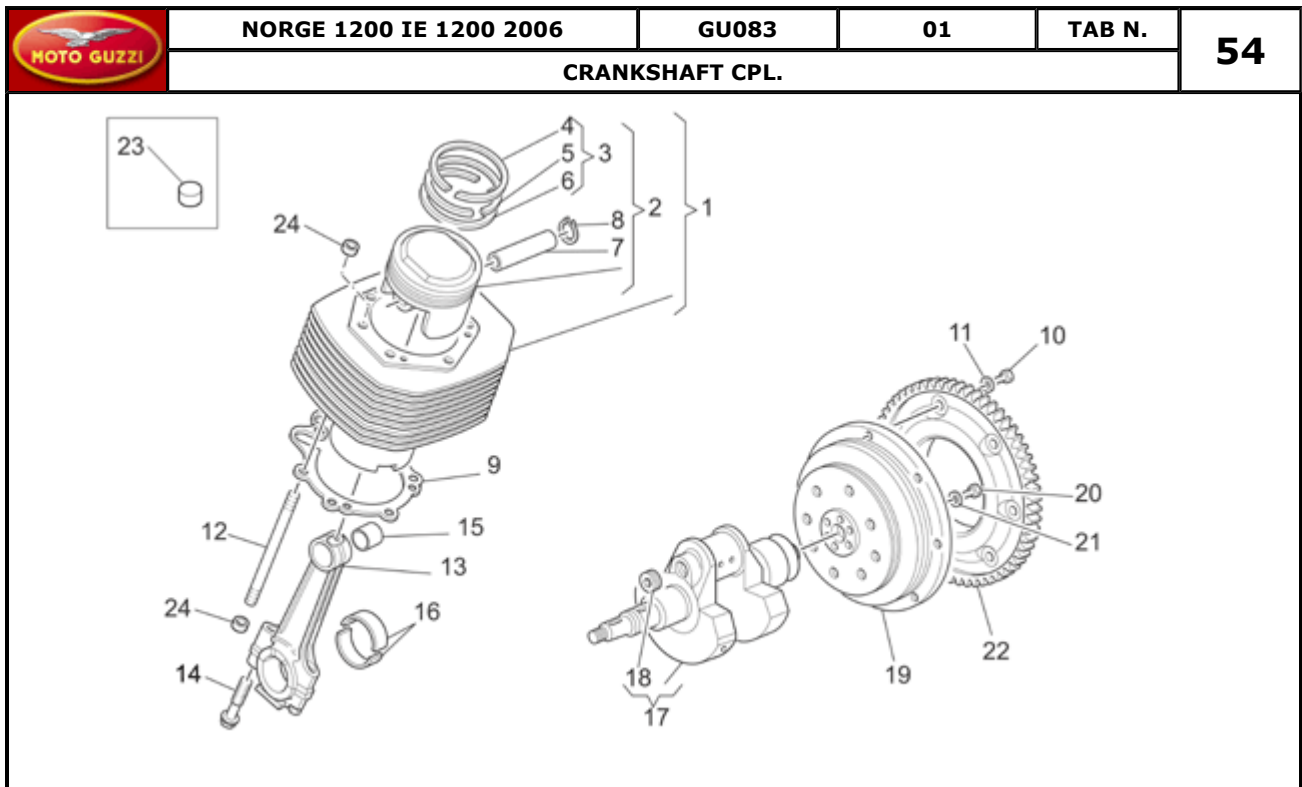
Pos.	Description	Year	I_M	Country	Version	Code	Q.ty	P.Cod.
1	Crankcase, grey	-	-	-	-	976110	1	
2	Disc	-	-	-	-	GU12003900	1	
3	Stud bolt M8X66	-	-	-	-	GU96508066	3	
4	Bush 6,8x8,8x5,8	-	-	-	-	GU91120606	4	
5	Washer 8,4X13X0,8	-	-	-	-	GU14615901	5	
6	Coupling bush	-	-	-	-	GU12018900	2	
7	Stud bolt M8x75	-	-	-	-	GU96508075	2	
8	Flanged nut M8	-	-	-	-	GU92660021	5	
9	Pin	-	-	-	-	GU95512081	2	
10	Complete flange	-	-	-	-	GU14011900	1	
	Flange min.0,2 mm	-	-	-	-	GU14011901	1	
11	Pin	-	-	-	-	GU12012200	1	
12	Hex screw M8x25	-	-	-	-	GU98084425	14	
13	Spring washer 8x15x0,3	-	-	-	-	GU61270300	18	
14	Cover gasket	-	-	-	-	GU05001231	1	
15	Cover grey	-	-	-	-	976098	1	
16	Hex socket screw M8x55	-	-	-	-	AP8150046	4	
17	Hex socket screw M6X30	-	-	-	-	GU98682330	10	
18	Union	-	-	-	-	GU05007230	1	
19	Gasket ring 22x35x7viton	-	-	-	-	GU90412237	1	
20	Hex socket screw M6x20	-	-	-	-	GU98682320	2	
21	Alternator cover grey	-	-	-	-	GU05001630	1	
22	Hex socket screw M6x16	-	-	-	-	GU98682316	4	
23	Hex socket screw M6X30	-	-	-	-	GU98682330	4	
24	Gasket	-	-	-	-	GU01003651	1	
25	Flange grey	-	-	-	-	976083	1	
26	Gasket	-	-	-	-	GU05003630	1	
27	Oil sump grey	-	-	-	-	976101	1	
28	Complete flange	-	-	-	-	GU12011400	1	
	Flange min.0,2 mm	-	-	-	-	GU12011401	1	
	Flange min.0,4 mm	-	-	-	-	GU12011402	1	
	Flange min.0,6 mm	-	-	-	-	GU12011403	1	
29	Pin	-	-	-	-	GU12011700	1	
30	Hex socket screw m6x55	-	-	-	-	AP4ADN000007	14	

31	Hex socket screw M6x60	-	-	-	-	-	GU98680360	2
32	Oil unload plug M10X1	-	-	-	-	-	GU31003766	1
33	Gasket 10x18x1,5	-	-	-	-	-	GU01528930	1
34	Oil level plug	-	-	-	M3	-	GU05004930	1
35	O-ring 17,86X2,62	-	-	-	-	-	GU90706178	1
36	Plate	-	-	-	-	-	GU05007330	1
37	Screw TSPEI M4x8	-	-	-	-	-	GU98257408	2
38	Bush 6,4x8,4x10,5	-	-	-	-	-	GU91120607	2
39	O-ring 34,65x1,78viton	-	-	-	-	-	GU90706347	1
40	Plug	-	-	-	-	-	GU05002130	1
41	Gasket ring	-	-	-	-	-	GU90405367	1
42	Gasket	-	-	-	-	-	GU05011830	1
43	Engine set gasket	-	-	-	-	-	976184	1
44	Engine oil seal kit/Gear box	-	-	-	-	-	976185	1
45	Engine cpl.	-	-	-	-	-	976912	1
46	Screw w/ flange M8x45*	-	-	-	-	-	AP8152291	1
47	Hex socket screw M6X40	-	-	-	-	-	GU98680340	2
48	Washer 6,15x11x0,8	-	-	-	-	-	GU95008206	8
49	Oil level rod cpl.	-	-	-	M4	-	978496	1

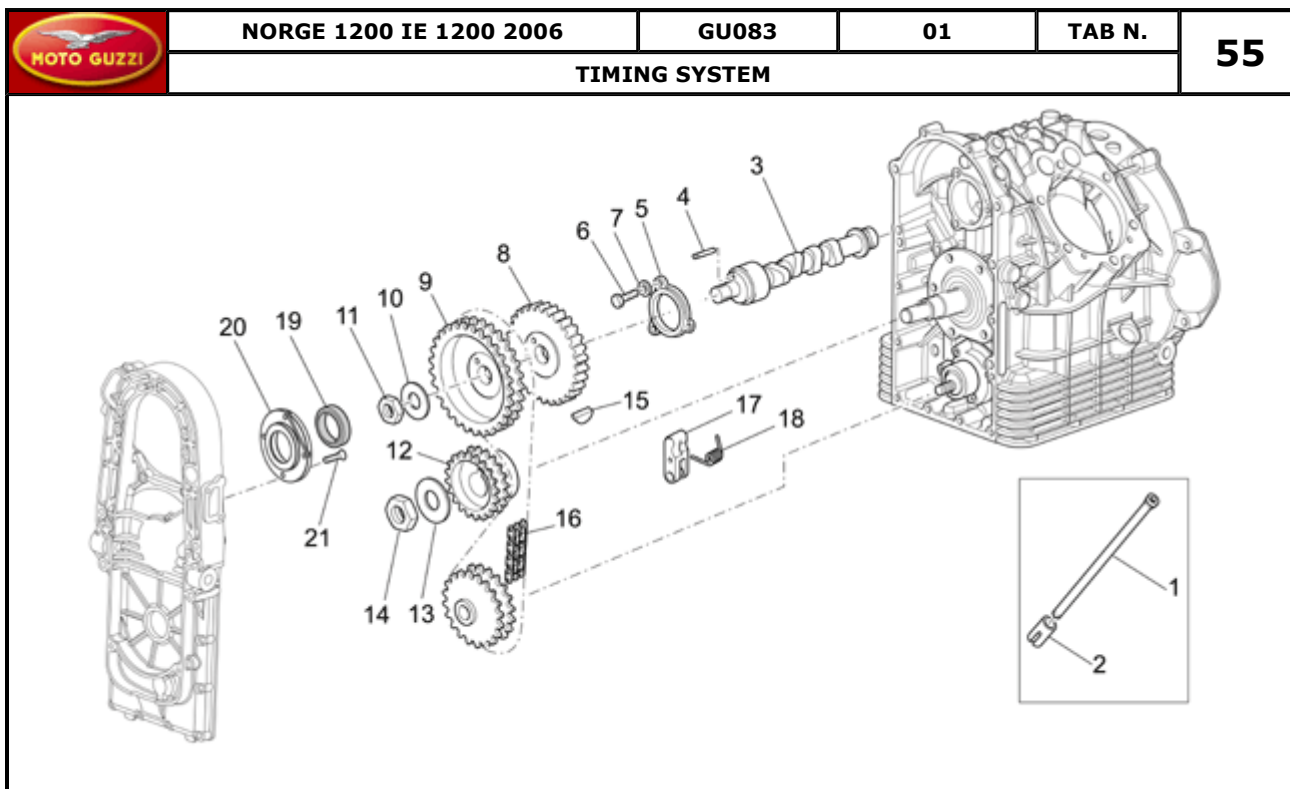


Pos.	Description	Year	I_M	Country	Version	Code	Q.ty	P.Cod.
1	RH head assy w/h valve grey	-	-	-	-	976079	1	
2	LH head assy with valve grey	-	-	-	-	976080	1	
3	Valve stem seal D8	-	-	-	-	976107	4	
4	RH.Rocker arm support	-	-	-	-	976152	1	
5	Exhaust valve	-	-	-	-	GU05036131	2	
6	Intake valve	-	-	-	-	GU05036030	2	
7	Snap ring	-	-	-	-	GU90353016	4	
8	O-ring 8,73x1,78-viton	-	-	-	-	224202	4	
9	Pin 11,8X10	-	-	-	-	825597	4	
10	Lower cup 14,2x32x5	-	-	-	1A	GU01037030	4	
	Lower cup 14,2x32x7	-	-	-	2A	976181	4	
11	Outer spring	-	-	-	-	GU37037405	4	
12	Inner spring	-	-	-	-	GU37037605	4	
13	Upper cup	-	-	-	-	GU01038060	4	
14	Valve half-cone	-	-	-	-	GU01038160	8	
15	Oil plug	-	-	-	-	GU12022600	2	
16	O-ring 20,24X2,62	-	-	-	-	GU90706203	2	
17	Rubber spacer	-	-	-	-	GU05025331	18	
18	Bush 6,8x8,8x9,8	-	-	-	-	GU32116810	4	
19	Stud bolt	-	-	-	-	GU96508040	4	
20	Gasket	-	-	-	-	976052	2	
21	Screw w/ flange M5x16	-	-	-	-	AP8152298	4	
22	LH.Rocker arm support	-	-	-	-	976153	1	
23	Nut M10X1,5	-	-	-	-	GU92603010	8	
24	Washer 10,5X21X1	-	-	-	-	GU14018400	8	
25	RH rocker arm assy	-	-	-	-	GU14030201	2	
26	LH rocker arm assy	-	-	-	-	GU14030401	2	
27	Bush 15x18x43	-	-	-	-	GU91111511	4	
28	Adjuster screw	-	-	-	-	GU17034050	4	
29	Nut	-	-	-	-	GU10034100	4	
30	Spring	-	-	-	-	GU94322215	4	
31	Washer 15,2x26x1	-	-	-	-	GU90118152	8	
32	Washer 15,2x26x0,5	-	-	-	-	GU10032700	4	

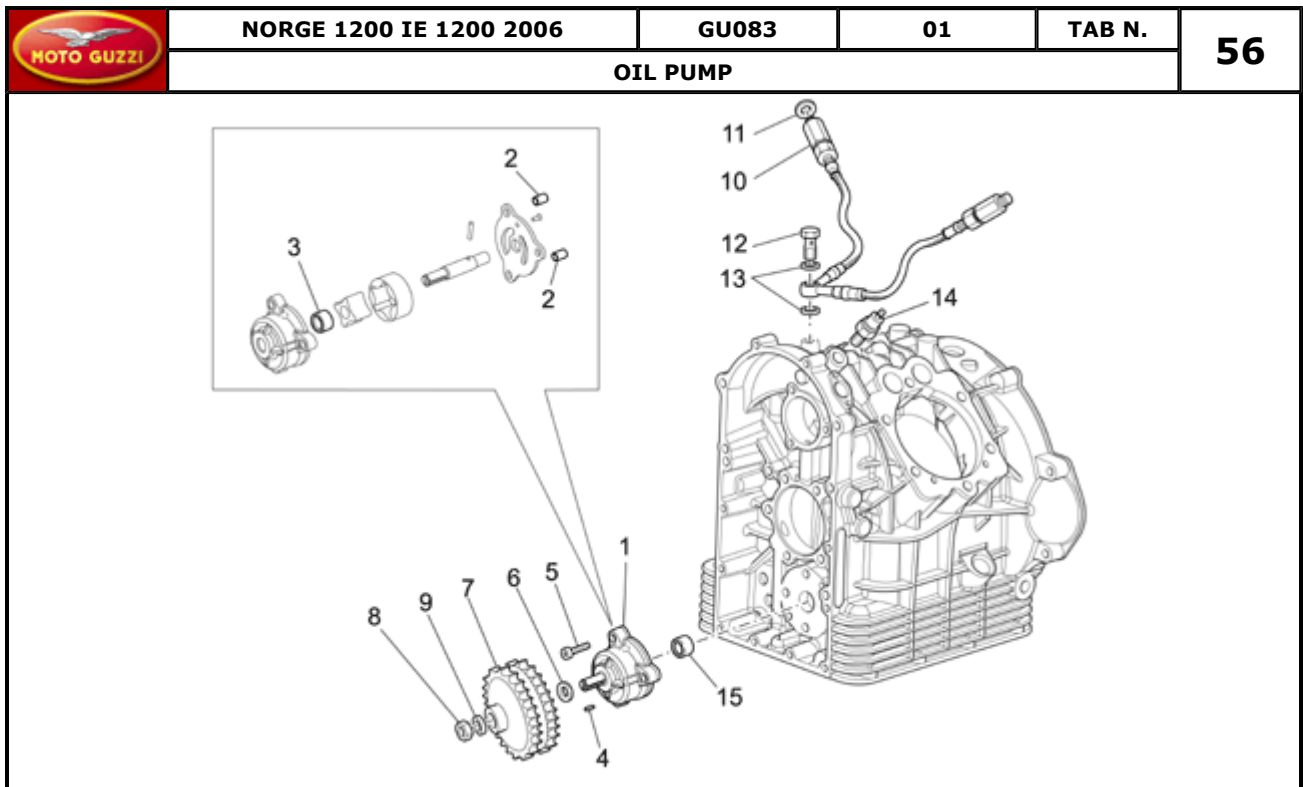
33	Rocker shaft	-	-	-	-	-	GU12031800	4
34	Hex screw M6X16	-	-	-	-	-	GU98084316	4
35	Washer 6,5x11x2	-	-	-	-	-	GU95120065	4
36	RH/LH head cover grey	-	-	-	-	-	976095	2
37	Insert	-	-	-	-	-	GU05023430	2
38	Cover gasket	-	-	-	-	-	976139	2
39	Screw M6x25	-	-	-	-	-	GU05025930	16
40	Washer 10,5X18X0,8	-	-	-	-	-	GU95129180	4
41	Screw	-	-	-	-	-	976144	4
42	Washer 14,2x31x1	-	-	-	1A	-	GU13037200	4
43	Washer 14,2x31x0,3	-	-	-	1A	-	GU14037300	10




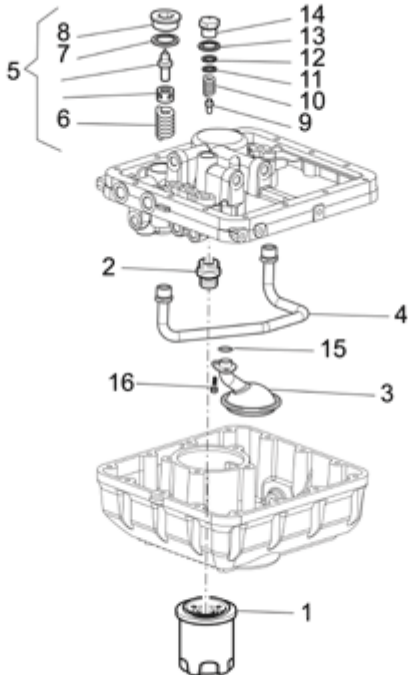
Pos.	Description	Year	I_M_	Country	Version	Code	Q.ty	P.Cod.
1	Cylinder with piston	-	-	-	-	976182	2	
2	Piston assy D.95	-	-	-	-	976069	2	
3	Pistonring set	-	-	-	-	976183	2	
4	Piston ring	-	-	-	-	976070	2	
5	Piston ring	-	-	-	-	976071	2	
6	Piston ring	-	-	-	-	976072	2	
7	Piston pin	-	-	-	-	GU30061241	2	
8	Stop ring	-	-	-	-	GU90351039	4	
9	Gasket	-	-	-	-	976064	2	
10	Screw TCEI M6x12	-	-	-	-	GU37067705	8	
11	Washer 6,4x10x0,7	-	-	-	-	GU14217901	8	
12	Stud bolt	-	-	-	-	976031	8	
13	Connecting rod cpl.	-	-	-	M2	976003	2	
	Connecting rod cpl.	-	-	-	M1	GU05061530	2	
14	Connecting rod screw	-	-	-	M2	849131	4	
	Connecting rod screw	-	-	-	M1	GU01062230	4	
15	Bush	-	-	-	M1	GU91112128	2	
16	Bearing half-shell 1,535-1,540	-	-	-	M2-RS	976171	4	
	Bearing half-shell 1,539-1,544	-	-	-	BS-M2	976172	4	
	Bearing half-shell	-	-	-	M1	GU01062030	4	
	Bearing half-shell min.0,254	-	-	-	M1	GU01062031	4	
	Bearing half-shell min.0,508	-	-	-	M1	GU01062032	4	
	Bearing half-shell min.0,762	-	-	-	M1	GU01062033	4	
17	Crankshaft cpl.	-	-	-	M1	976118	1	
	Crankshaft cpl.	-	-	-	M2	976187	1	
18	Plug	-	-	-	-	GU37065405	1	
19	Flywheel cpl.	-	-	-	-	GU04067000	1	
20	Screw M8X25	-	-	-	-	GU12067701	6	
21	Washer 8,4X13X0,8	-	-	-	-	GU14615901	6	
22	Chain ring	-	-	-	-	GU01067930	1	
23	Rubber spacer	-	-	-	-	GU05025330	54	
24	Pin 11,8X10	-	-	-	-	825597	6	


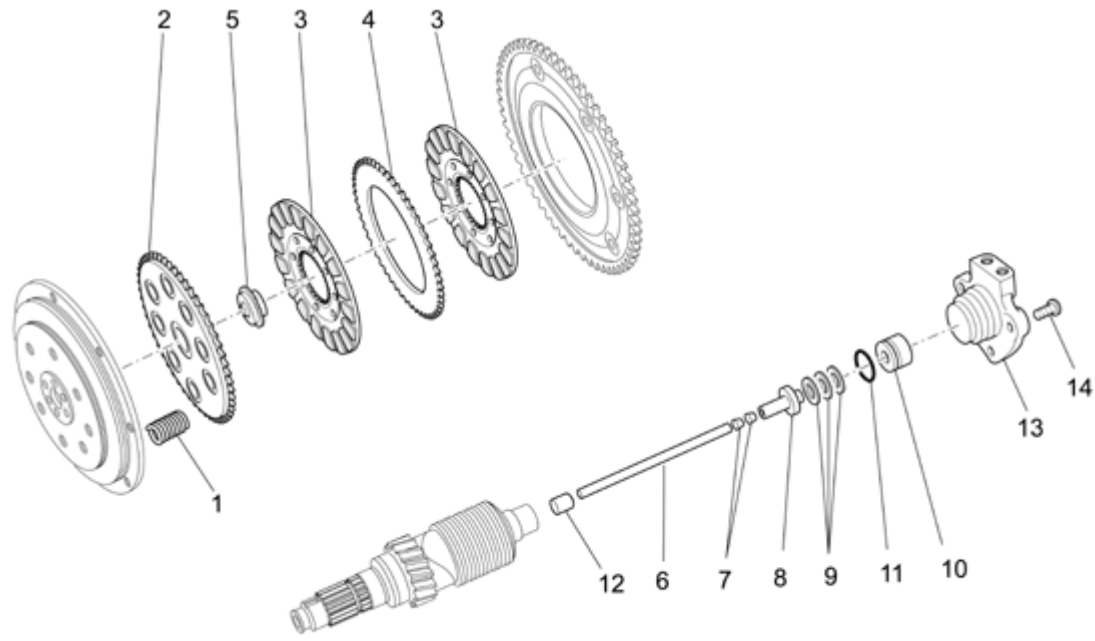


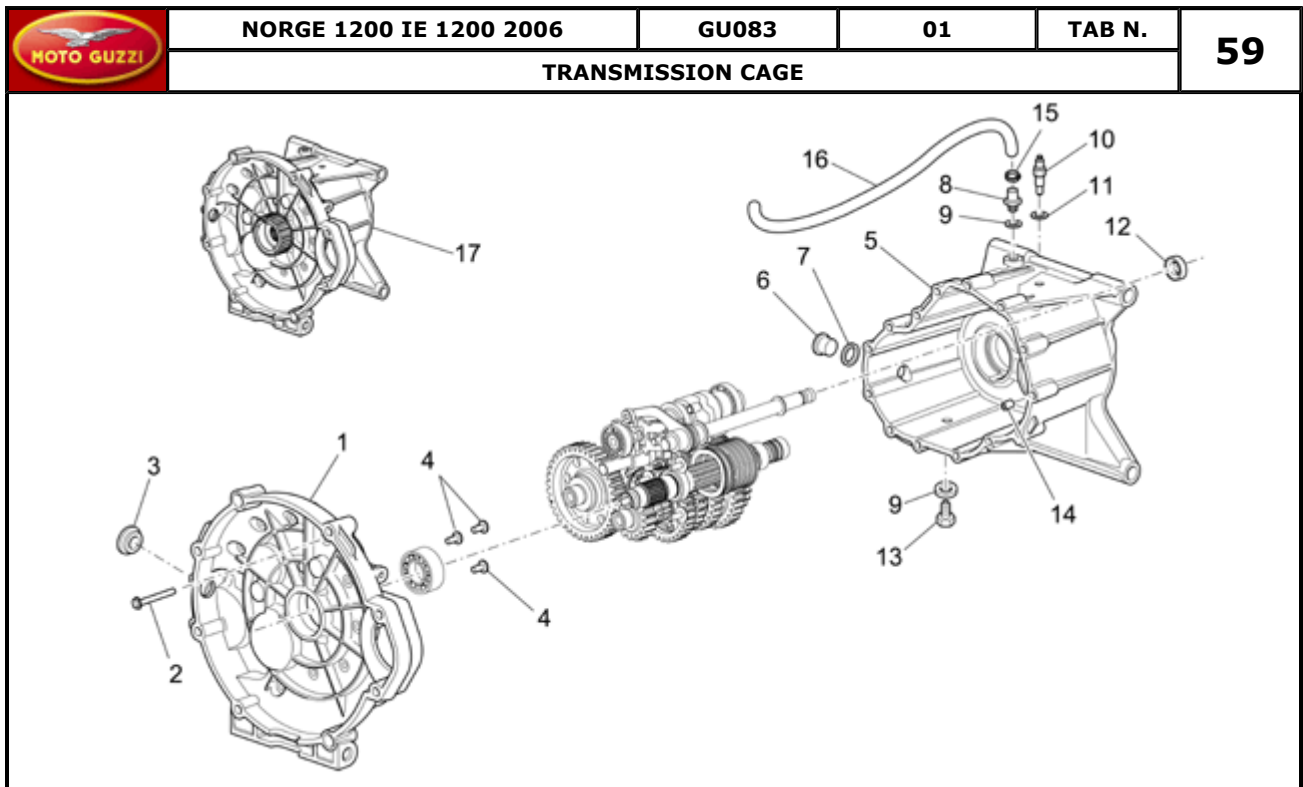
Pos.	Description	Year	I_M_	Country	Version	Code	Q.ty	P.Cod.
1	Rocker arm rod	-	-	-	-	GU37045006	4	
2	Tappet	-	-	-	-	GU17045860	4	
3	Camshaft	-	-	-	-	GU05053331	1	
4	Pin	-	-	-	-	GU14234600	1	
5	Flange	-	-	-	-	GU01054001	1	
6	Hex screw M6x20	-	-	-	-	GU98084320	3	
7	Washer 6,5x11x2	-	-	-	-	GU95120065	3	
8	Wheel speed sensor, left front	-	-	-	-	GU01051730	1	
9	Timing system gear	-	-	-	-	GU05054532	1	
10	Spring washer 19x34x1,5	-	-	-	-	GU14433400	1	
11	Nut M18	-	-	-	-	GU92750180	1	
12	Pinion	-	-	-	-	GU14072001	1	
13	Washer 25,5x35x2	-	-	-	-	GU95100837	1	
14	Nut M25	-	-	-	-	GU92602525	1	
15	Transmission key 3x6,5	-	-	-	-	GU91600365	1	
16	Chain	-	-	-	-	GU05058030	1	
17	Chain guide plate	-	-	-	-	GU30058310	1	
18	Spring	-	-	-	-	GU30059211	1	
19	Gasket ring 15x32x7viton	-	-	-	-	GU90401532	1	
20	Support	-	-	-	-	GU05055230	1	
21	Hex socket screw M4x10	-	-	-	-	AP8152043	4	



Pos.	Description	Year	I_M	Country	Version	Code	Q.ty	P.Cod.
1	Oil pump	-	-	-	-	976134	1	
2	Locating dowel	-	-	-	-	277916	2	
3	Needle bearing 12x18x12	-	-	-	-	976165	1	
4	Transmission key	-	-	-	-	GU13148300	1	
5	Hex socket screw M6X30	-	-	-	-	GU98682330	3	
6	Fifth wheel	-	-	-	-	976448	1	
7	Oil pump gear	-	-	-	-	GU30147700	1	
8	Nut M10x1,25	-	-	-	-	GU92602510	1	
9	Washer 10,5x16x1	-	-	-	-	GU19149800	1	
10	Pipe	-	-	-	-	GU05153630	1	
11	Gasket	-	-	-	-	GU25656102	2	
12	Screw	-	-	-	-	GU95990037	1	
13	Gasket 8,25x15x1	-	-	-	-	GU12154200	2	
14	Pressure sensor	-	-	-	-	GU31768780	1	
15	Needle bearing 10x14x12	-	-	-	-	976168	1	

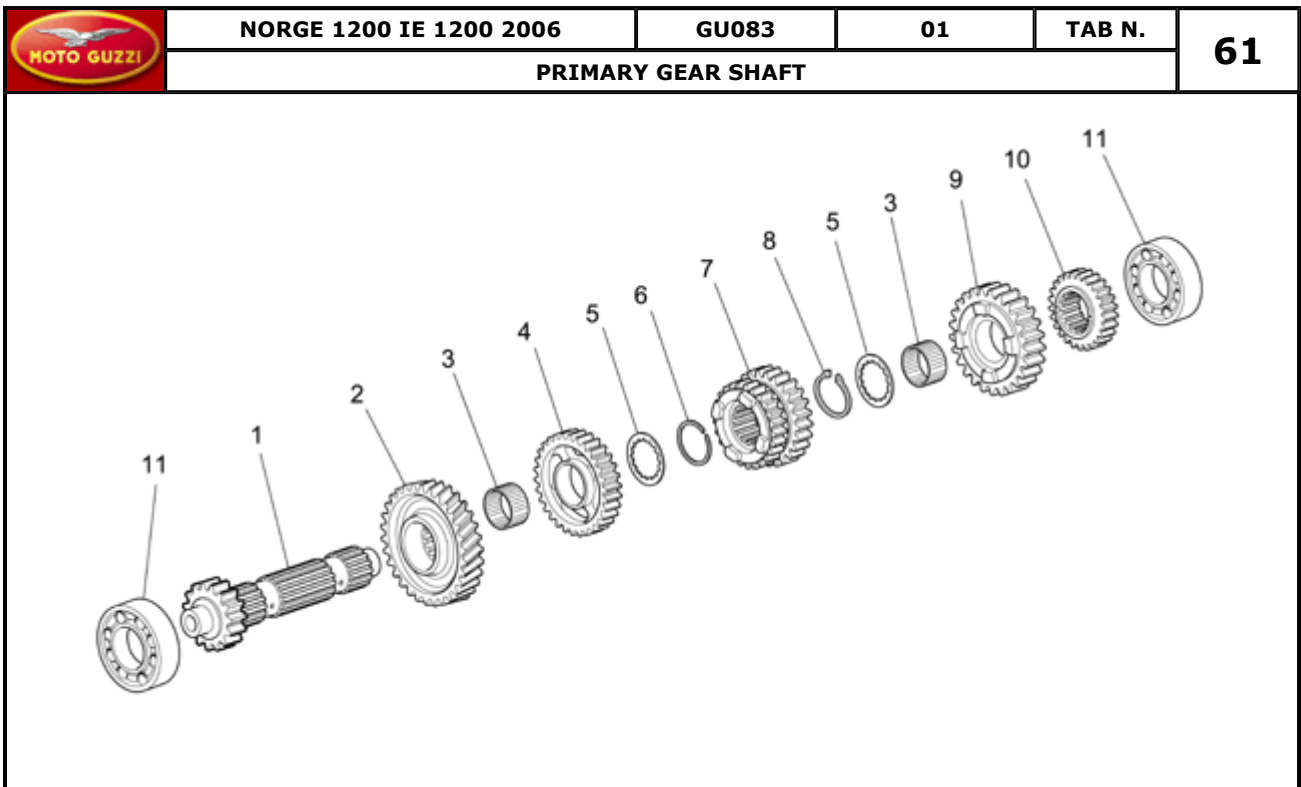
		NORGE 1200 IE 1200 2006		GU083	01	TAB N.	57	
		OIL FILTERS						
								
Pos.	Description	Year	I_M	Country	Version	Code	Q.ty	P.Cod.
1	Oil filter	-	-	-	-	GU30153000	1	
2	Union	-	-	-	-	GU30003800	1	
3	Oil filter	-	-	-	-	GU05152230	1	
4	Pipe	-	-	-	-	GU05005730	1	
5	Thermostatic valve compl.	-	-	-	-	GU01163500	1	
6	Spring	-	-	-	-	GU20164010	1	
7	Copper gasket	-	-	-	-	GU01163700	1	
8	Plug	-	-	-	-	GU01163600	1	
9	Piston	-	-	-	-	GU30150900	1	
10	Spring	-	-	-	-	GU94321077	1	
11	Washer 6,15x11x0,8	-	-	-	-	GU95008206	2	
12	Washer	-	-	-	-	GU30158900	1	
13	Washer 18,25x24x1	-	-	-	-	GU18144350	1	
14	Plug	-	-	-	-	GU31159050	1	
15	O-ring 15,08x2,62viton	-	-	-	-	GU90706151	1	
16	Hex socket screw M6x16	-	-	-	-	GU98682316	2	

		NORGE 1200 IE 1200 2006		GU083	01	TAB N.	58	
CLUTCH								
								
Pos.	Description	Year	I_M_	Country	Version	Code	Q.ty	P.Cod.
1	Clutch spring	-	-	-	1A	-	GU04084100	10
	Clutch spring	-	-	-	2A-RS	-	GU13084100	5
	Clutch spring	-	-	-	2A	-	GU04084100	5
2	Disc	-	-	-	-	-	GU30082900	1
3	Clutch plate complete	-	-	-	-	-	GU05084430	2
4	Intermediate plate	-	-	-	-	-	GU12082300	1
5	Cup	-	-	-	-	-	GU04082800	1
6	Rod	-	-	-	-	-	GU05085730	1
7	Bush	-	-	-	-	-	GU14085900	2
8	Inner body	-	-	-	-	-	GU14086000	1
9	Thrust bearing	-	-	-	-	-	GU12087001	1
10	Clutch control cylinder	-	-	-	-	-	GU04086100	1
11	O-ring 17,13x2,62	-	-	-	-	-	GU90706170	1
12	Bush	-	-	-	-	-	GU05217630	1
13	Clutch command cylinder	-	-	-	-	-	GU05086330	1
14	Screw w/ flange M6x16*	-	-	-	-	-	AP8152278	3

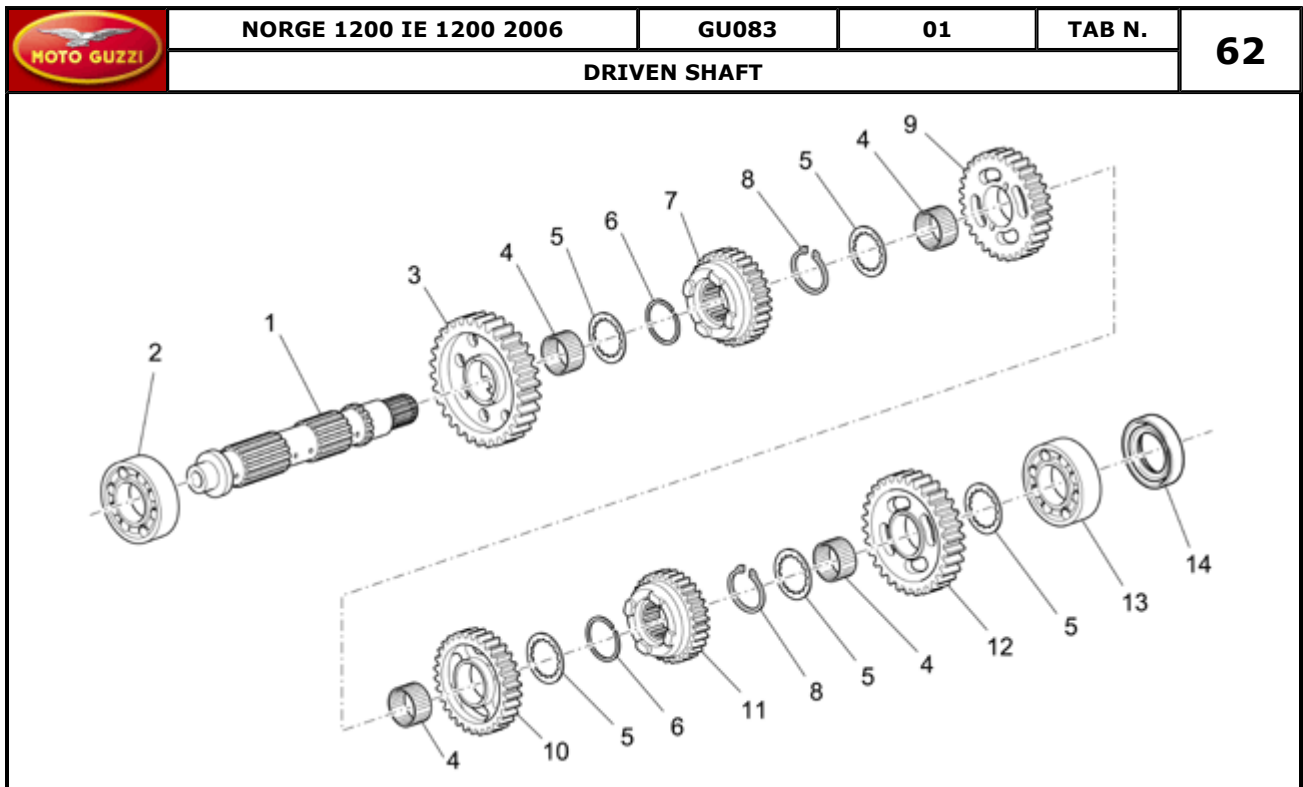


Pos.	Description	Year	I_M_	Country	Version	Code	Q.ty	P.Cod.
1	Clutch housing, grey	-	-	-	-	976102	1	
2	Screw w/ flange M6x55	-	-	-	-	GU97202355	14	
3	Plug	-	-	-	-	GU93180220	1	
4	Hex socket screw M6X16	-	-	-	-	GU98370616	3	
5	Gearbox, grey	-	-	-	-	976104	1	
6	Oil plug M18x1,5	-	-	-	-	GU95980319	1	
7	Washer 18,25x24x1	-	-	-	-	GU18144350	1	
8	Breather plug	-	-	-	-	GU05204930	1	
9	Gasket 10x18x1,5	-	-	-	-	GU01528930	2	
10	Sensor	-	-	-	-	GU19207220	1	
11	Gasket 8,25x15x1	-	-	-	-	GU12154200	1	
12	Gasket ring 14x24x7	-	-	-	-	GU90401424	1	
13	Oil unload plug M10X1	-	-	-	-	GU31003766	1	
14	Bush 6,6x9x13	-	-	-	-	GU19002020	2	
15	Hose clamp D10,1*	-	-	-	-	AP8101595	1	
16	Fuel pipe 5,5x10	-	-	-	-	AP8120952	1	
17	Gear box assy	-	-	-	C2-C3	976924	1	
	Gear box assy	-	-	-	C1	976913	1	

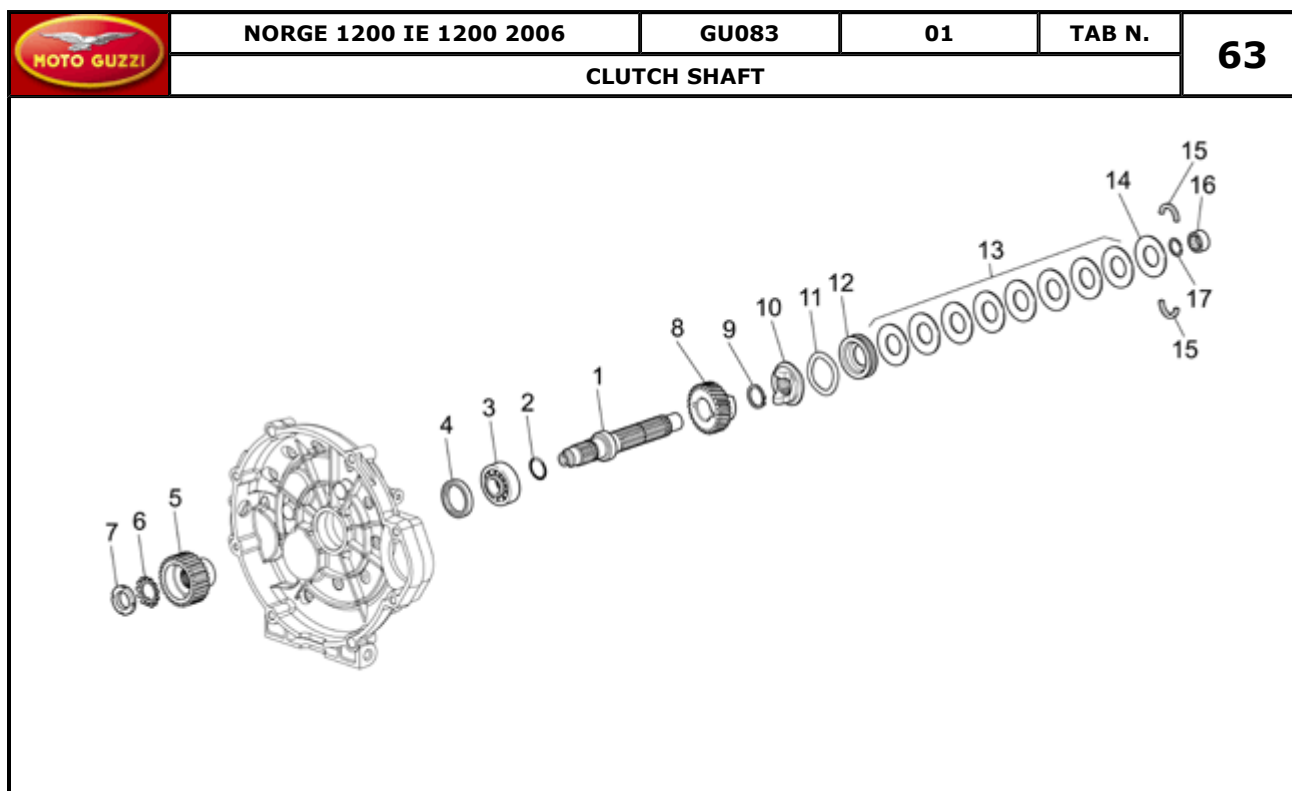
Pos.	Description	Year	I_M_	Country	Version	Code	Q.ty	P.Cod.
1	Shift cam cpl.	-	-	-	-	GU05234431	1	
2	Pin	-	-	-	-	GU05234631	6	
3	Spacer	-	-	-	-	GU05235531	1	
4	Circlip	-	-	-	-	GU90271022	1	
5	Ball bearing 17x35x10	-	-	-	-	GU92201117	1	
6	Ball bearing 25x42x9	-	-	-	-	GU92201025	1	
7	Preselection complete	-	-	-	-	GU05236231	1	
8	Spring	-	-	-	-	GU05238231	1	
9	Bush	-	-	-	-	GU05238431	1	
10	Lever Index	-	-	-	-	GU05234731	1	
11	Spring	-	-	-	-	GU05234130	1	
12	Spacer	-	-	-	-	GU05234230	1	
13	Fixing pin	-	-	-	-	GU05234931	1	
14	Spring	-	-	-	-	GU05238331	1	
15	Spacer	-	-	-	-	GU05238131	1	
16	Circlip	-	-	-	-	GU90271014	2	
17	Fifth wheel	-	-	-	-	GU05239330	1	
18	Fork 1a-3a	-	-	-	-	GU05230531	1	
19	Fork shaft	-	-	-	-	GU05232431	1	
20	Fork 5a-6a	-	-	-	-	GU05232631	1	
21	Fork 2a-4a	-	-	-	-	GU05230831	1	
22	Circlip	-	-	-	-	GU90353014	1	



Pos.	Description	Year	I_M	Country	Version	Code	Q.ty	P.Cod.
1	Primary gear shaft Z=17	-	-	-	-	GU05210631	1	
2	Drive gears Z=35	-	-	-	-	GU06215600	1	
3	Roller cage 26x30x15,6	-	-	-	-	GU92252029	2	
4	Gear 5a Z=31	-	-	-	C2-C3	976177	1	
	Gear 5a Z=31	-	-	-	C1	GU05212031	1	
5	Clearance washer	-	-	-	-	GU05214630	2	
6	Snap ring 30x1,2SW	-	-	-	-	GU90271230	1	
7	Gear 3a-4a Z=23-26	-	-	-	-	GU05211431	1	
8	Snap ring 30x27,9	-	-	-	-	GU90271030	1	
9	Gear 6a Z=30	-	-	-	C2-C3	976179	1	
	Gear 6a Z=29	-	-	-	C1	GU05212631	1	
10	Gear 2a Z=20	-	-	-	-	GU05211331	1	
11	Ball bearing 20x52x15	-	-	-	-	GU92201822	2	

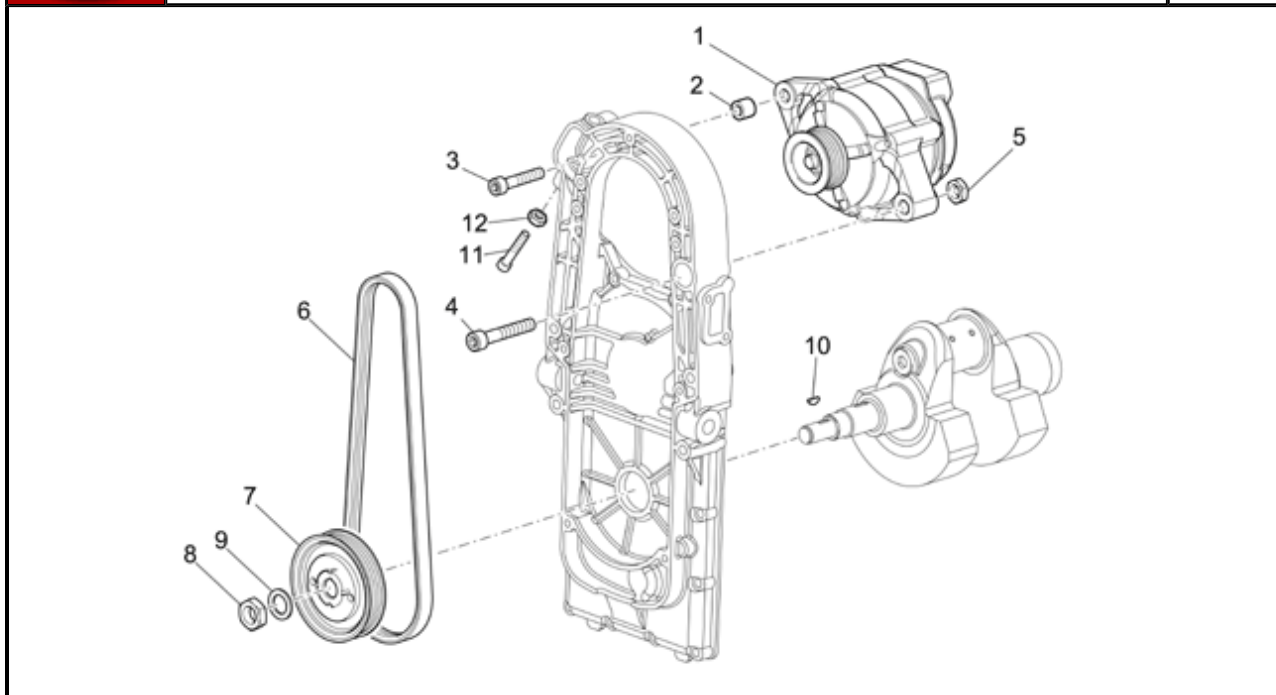


Pos.	Description	Year	I_M	Country	Version	Code	Q.ty	P.Cod.
1	Driven shaft	-	-	-	-	GU05213631	1	
2	Ball bearing 20x52x15	-	-	-	-	GU92201822	1	
3	Gear 1a Z=38	-	-	-	-	GU05214231	1	
4	Roller cage 26x30x15,6	-	-	-	-	GU92252029	4	
5	Clearance washer	-	-	-	-	GU05214630	5	
6	Snap ring 30x1,2SW	-	-	-	-	GU90271230	2	
7	Gear 5a Z=29	-	-	-	C2-C3	976178	1	
	Gear 5a Z=30	-	-	-	C1	GU05214031	1	
8	Snap ring 30x27,9	-	-	-	-	GU90271030	2	
9	Gear 3a Z=31	-	-	-	-	GU05214731	1	
10	Gear 4a Z=29	-	-	-	-	GU05215031	1	
11	Gear 6a Z=25	-	-	-	C1	GU05220531	1	
	Gear 6a Z=24	-	-	-	C2-C3	976180	1	
12	Gear 2a Z=34	-	-	-	-	GU05214431	1	
13	Ball bearing 25x52x15	-	-	-	-	GU92201226	1	
14	Gasket ring 25X40X7	-	-	-	-	GU90412541	1	

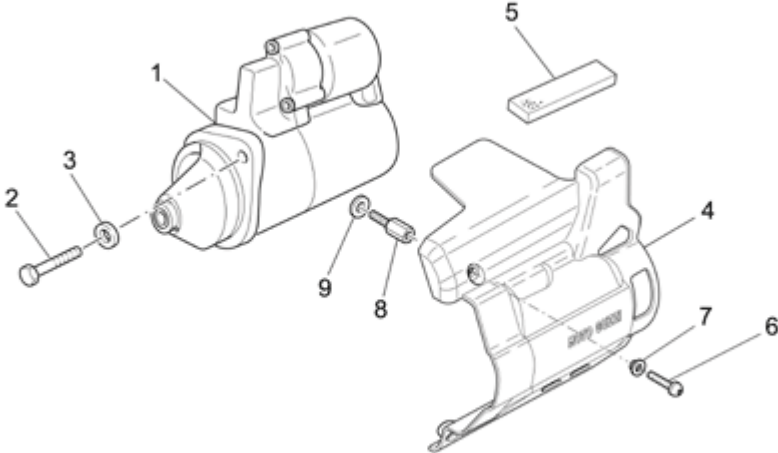



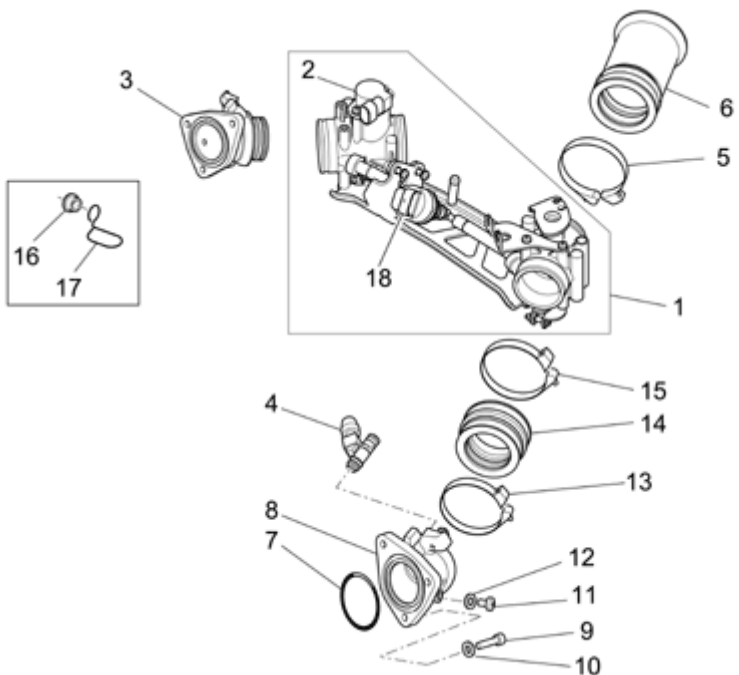
Pos.	Description	Year	I_M_	Country	Version	Code	Q.ty	P.Cod.
1	Clutch shaft	-	-	-	-	GU05210731	1	
2	O-ring 20,24X2,62	-	-	-	-	GU90706203	1	
3	Ball bearing 25x52x15	-	-	-	-	GU92201226	1	
4	Gasket ring 35x47x7	-	-	-	-	GU90403549	1	
5	Clutch gear	-	-	-	-	GU05081830	1	
6	Washer 22x20x3,9	-	-	-	-	GU95028022	1	
7	Ring nut	-	-	-	-	GU93601022	1	
8	Idle gear Z=24	-	-	-	-	GU06211100	1	
9	Snap ring 25x2	-	-	-	-	GU90271125	1	
10	Hose	-	-	-	-	GU05211231	1	
11	Washer	-	-	-	-	GU95129340	3	
12	Disc	-	-	-	-	GU05211030	1	
13	Belleville spring	-	-	-	-	GU05211530	8	
14	Disc	-	-	-	-	GU05211630	1	
15	Half ring	-	-	-	-	GU12211700	2	
16	Roller bearing 20x28x13	-	-	-	-	GU92232028	1	
17	Snap ring 28x30,1	-	-	-	-	GU90272028	1	


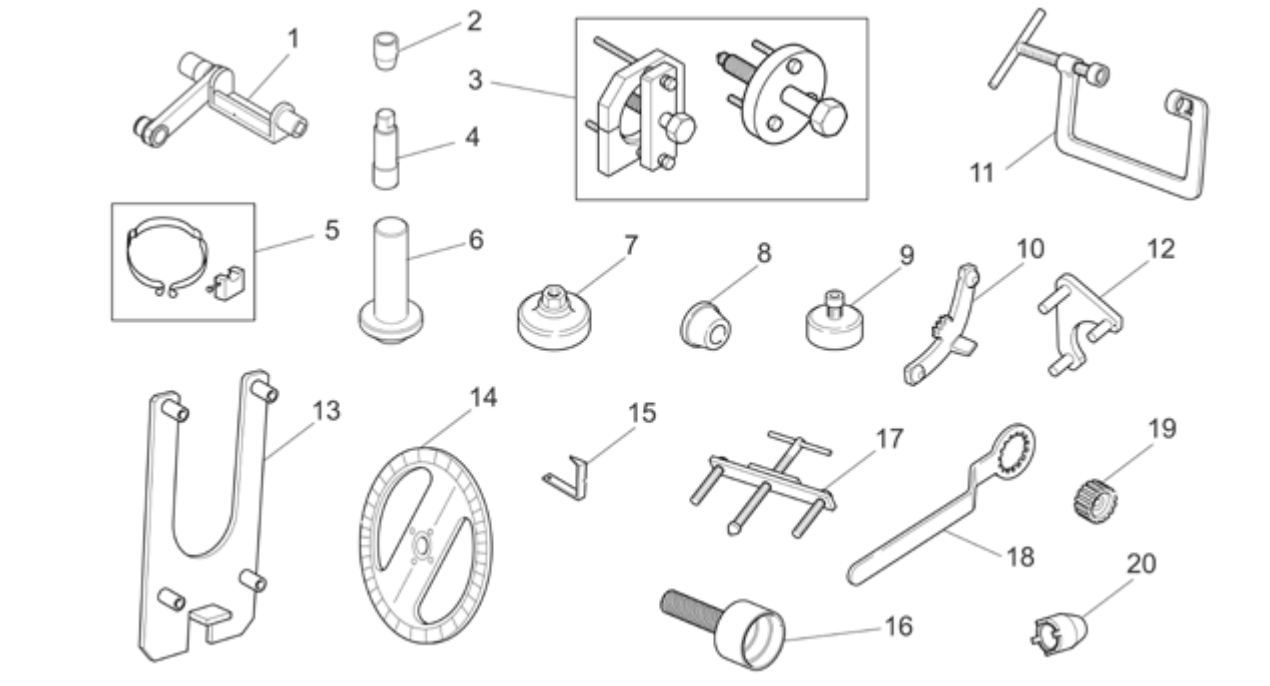
	NORGE 1200 IE 1200 2006	GU083	01	TAB N.	64
	CURRENT GENERATOR				



Pos.	Description	Year	I_M	Country	Version	Code	Q.ty	P.Cod.
1	Generator	-	-	-	-	GU05712431	1	
2	Spacer 8,5x17x13	-	-	-	-	GU91180823	1	
3	Hex socket screw M8X45	-	-	-	-	GU98620445	1	
4	Hex socket screw M10x60	-	-	-	-	GU98620560	1	
5	Nut M10X1,5	-	-	-	-	GU92660012	1	
6	Belt	-	-	-	-	GU05702530	1	
7	Generator lever pulley	-	-	-	-	GU05701430	1	
8	Nut M16	-	-	-	-	GU92606516	1	
9	Washer 16,25x24,5x5	-	-	-	-	GU30714201	1	
10	Flywheel magneto key	-	-	-	-	AP4FAN000030	1	
11	Hex socket screw M8x50	-	-	-	-	GU98230850	1	
12	Nut M8x1,25	-	-	-	-	GU92605408	1	

MOTO GUZZI		NORGE 1200 IE 1200 2006	GU083	01	TAB N.	65		
		STARTER MOTOR						
								
Pos.	Description	Year	I_M_	Country	Version	Code	Q.ty	P.Cod.
1	Starter motor Bosch	-	-	-	-	GU05730730	1	
2	Screw M8X75	-	-	-	-	GU98082475	2	
3	Washer 8,4X15X1,5	-	-	-	-	GU95008208	2	
4	Cover chrime grey	-	-	-	-	GU05733330	1	
5	Adhesive sponge	-	-	-	-	AP8117200	1	
6	Hex socket screw M6x10	-	-	-	-	GU98370609	2	
7	Bush	-	-	-	-	AP8121032	2	
8	Stud bolt	-	-	-	-	GU03469201	1	
9	Washer 6,4x12	-	-	-	-	GU03013800	1	

		NORGE 1200 IE 1200 2006		GU083	01	TAB N.	66	
		THROTTLE BODY						
								
Pos.	Description	Year	I_M	Country	Version	Code	Q.ty	P.Cod.
1	Throttle assy	-	-	-	-	GU05112530	1	
2	Potentiometer	-	-	-	-	GU05112830	1	
3	RH manifold	-	-	-	-	GU05115030	1	
4	Injector kit complete	-	-	-	-	GU05115730	2	
5	Hose clamp	-	-	-	-	GU93305058	2	
6	Intake hose	-	-	-	-	GU05114430	2	
7	O-ring 46,04x3,53	-	-	-	-	GU90706461	2	
8	LH manifold	-	-	-	-	GU05115031	1	
9	Hex socket screw M6x25	-	-	-	-	GU98682325	6	
10	Washer 6,15x11x0,8	-	-	-	-	GU95008206	6	
11	Hex socket screw M6x20	-	-	-	-	GU98350310	2	
12	Washer 6,25x10x1,5	-	-	-	-	GU95100116	2	
13	Hose clamp 57x59,5x10	-	-	-	-	GU93305057	2	
14	Hose	-	-	-	-	GU01114390	2	
15	Hose clamp 61/65,5	-	-	-	-	GU93305061	2	
16	Spacer	-	-	-	-	GU31576183	1	
17	Cable-guide	-	-	-	-	AP8120428	1	
18	Min.regulation engine	-	-	-	-	GU05135830	1	

		NORGE 1200 IE 1200 2006		GU083	01	TAB N.	67	
		SPECIFIC TOOLS I						
								
Pos.	Description	Year	I_M_	Country	Version	Code	Q.ty	P.Cod.
1	Belt tensioning tool	-	-	-	-	GU05948630	1	
2	Front cover installation cone	-	-	-	-	GU05911730	1	
3	Gearbox opening tool	-	-	-	-	GU05912530	1	
4	Spark plug key	-	-	-	-	GU05901930	1	
5	Piston ring clamp	-	-	-	-	GU05928030	1	
6	Timing cover seal drift	-	-	-	-	GU05927230	1	
7	Wrench remov.cover sump/filter	-	-	-	-	GU01929100	1	
8	Flange flywheel side	-	-	-	-	GU12912000	1	
9	Seal ring onto flange fly.side	-	-	-	-	GU14927100	1	
10	Lock flywh.starter motor gear	-	-	-	-	GU12911801	1	
11	Valve removaland fitting	-	-	-	-	GU10907200	1	
12	Clamping the camshaftgearing	-	-	-	-	GU14927300	1	
13	Gearbox housing support	-	-	-	-	GU05902530	1	
14	Index plate tim.sett./ign.cont	-	-	-	-	GU19929600	1	
15	Arrow tim.set.ignition control	-	-	-	-	GU17947560	1	
16	Seal ring flange flywheel side	-	-	-	-	GU19927100	1	
17	Flange removal flywheel side	-	-	-	-	GU12913600	1	
18	Locking clutchinternal body	-	-	-	-	GU30912810	1	
19	Tool for clutch assembly	-	-	-	-	GU30906510	1	
20	Clutch hub ring nut wrench	-	-	-	-	GU05912630	1	

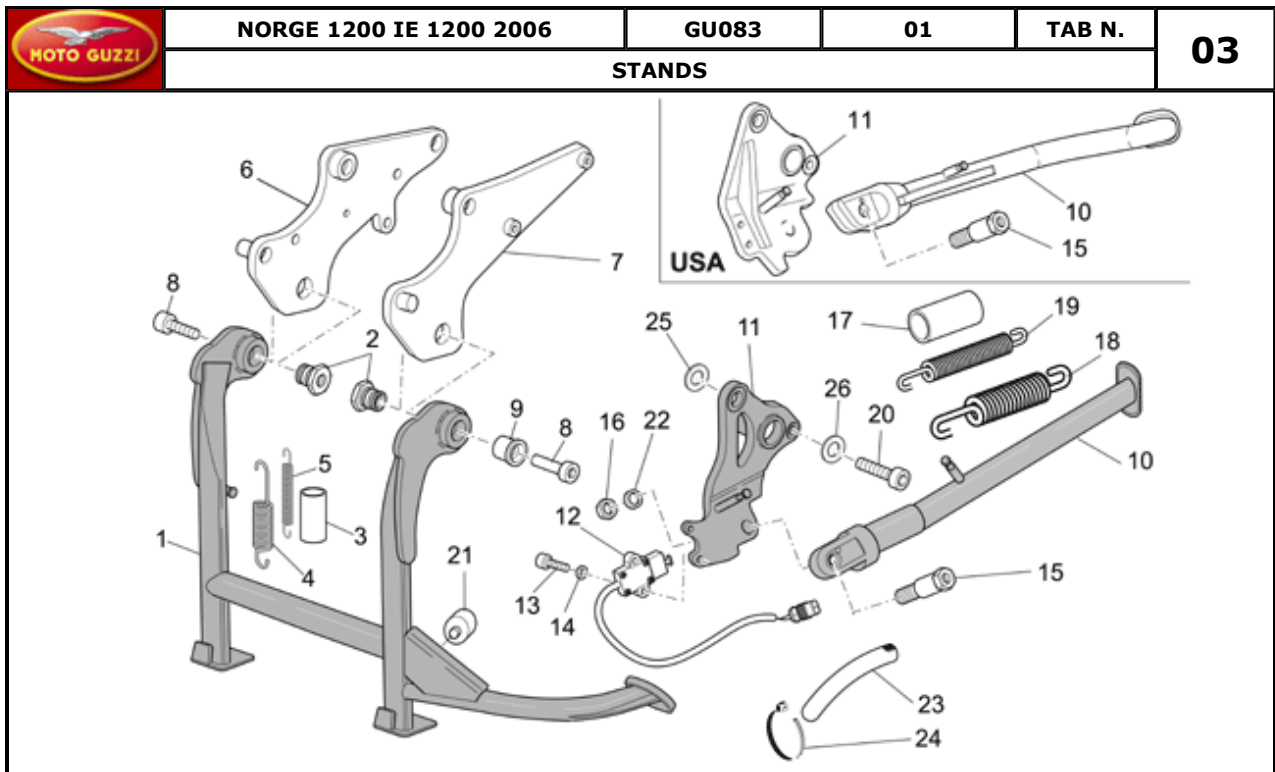
Pos.	Description	Year	I_M_	Country	Version	Code	Q.ty	P.Cod.

MOTO GUZZI		NORGE 1200 IE 1200 2006	GU083	01	TAB N.	68		
SPECIFIC TOOLS II								
1	Clutch hub ring nut wrench	-	-	-	-	GU05912630	1	
2	Steering lock tool	-	-	-	-	AP8140190	1	
3	Handle for drifts	-	-	-	-	GU05902732	1	
4	Ball joint seal drift	-	-	-	-	GU05902733	1	
5	Transmis.box oil seal drift 85	-	-	-	-	GU05902731	1	
6	Sprocket oil seal drift 45x58	-	-	-	-	GU05902735	1	
7	Wrench for sprocket ring nut	-	-	-	-	GU05902734	1	
8	Transmission box support	-	-	-	-	GU05902730	1	
9	Bevel gears support	-	-	-	-	GU05902736	1	

MOTO GUZZI	NORGE 1200 IE 1200 2006	GU083	01	TAB N.	01			
	FRAME I							
Pos.	Description	Year	I_M_	Country	Version	Code	Q.ty	P.Cod.

1	Frame	-	-	-	-	977700	1	
2	RH plate	-	-	-	-	GU05421430	1	
3	LH plate	-	-	-	-	GU05421530	1	
4	Hex socket screw M12x50	-	-	-	-	GU98682650	2	
5	Washer 13x18x1,7	-	-	-	-	GU30217900	2	
6	Spacer 12x35x14	-	-	-	-	GU91181215	2	
7	Stud bolt M10x38	-	-	-	-	977809	4	
8	Self-locking nut M10*	-	-	-	-	AP8152301	4	
9	Pin M12	-	-	-	-	AP8221307	1	
10	Washer 13x24x2,5	-	-	-	-	GU95008313	4	
11	Low self-locking nut M12*	-	-	-	-	AP8150432	2	
12	Pin M12x270	-	-	-	-	AP8221227	1	
13	Support plate	-	-	-	-	977788	1	
14	Special screw M8x15	-	-	-	-	GU97260415	1	

MOTO GUZZI		NORGE 1200 IE 1200 2006	GU083	01	TAB N.	02		
FRAME II								
Pos.	Description	Year	I_M	Country	Version	Code	Q.ty	P.Cod.
1	Front frame	-	-	-	GT-T	977586	1	
2	Hex socket screw M8x40	-	-	-	-	GU98680440	2	
3	Self-locking nut M8*	-	-	-	-	AP8152300	4	
4	Plug	-	-	-	-	GU93180510	2	
5	T bush 8,5x10,7x12	-	-	-	-	AP8221128	2	
6	Rubber spacer *	-	-	-	-	AP8120030	2	
7	Gasket	-	-	-	-	AP8144538	1	
8	Front frame	-	-	-	GTL-TL	977602	1	



Pos.	Description	Year	I_M_	Country	Version	Code	Q.ty	P.Cod.
1	Central stand	-	-	-	-	GU05430330	1	
2	Support	-	-	-	-	AP8121467	2	
3	Stand spring protection	-	-	-	-	AP8178918	1	
4	Lateral stand spring	-	-	-	-	AP8221317	1	
5	Internal lateral stand spring	-	-	-	-	AP8221318	1	
6	RH plate	-	-	-	-	GU05432930	1	
7	LH plate	-	-	-	-	GU05433430	1	
8	Hex socket screw M10x30	-	-	-	-	GU98682530	2	
9	Bush	-	-	-	-	GU05429630	2	
10	Lateral stand	-	-	AUS-EU-J-UK	-	977079	1	
	Lateral stand	-	-	USA	-	977093	1	
11	Stand plate	-	-	AUS-EU-J-UK	-	977080	1	
	Stand plate	-	-	USA	-	977408	1	
12	Lateral stand switch	-	-	-	-	639542	1	
13	Hex socket screw M5x16	-	-	-	-	GU98612216	2	
14	Washer 5,3x8,9x2,4	-	-	-	-	GU95020105	2	
15	Central stand fixing screw	-	-	USA	-	AP8121607	1	
	Central stand fixing screw	-	-	AUS-EU-J-UK	-	AP8121994	1	
16	Low nut M10x1,25*	-	-	-	-	AP8152001	1	
17	Stand spring protection	-	-	-	-	AP8102524	1	
18	Lateral stand spring	-	-	-	-	AP8221204	1	
19	Internal lateral stand spring	-	-	-	-	AP8221211	1	
20	Hex socket screw M12x35	-	-	-	-	GU98231235	2	
21	Stand end stop	-	-	-	-	AP8144030	1	
22	Curved spring washer *	-	-	-	-	AP8150292	1	
23	Thermal sheath	-	-	-	-	GU00823923140	1	
24	Hose clamp 3,6x20,6	-	-	-	-	GU14609650	2	
25	Washer 13x24x2,5	-	-	-	-	GU95008313	2	
26	Washer 13x18x1,7	-	-	-	-	GU30217900	2	



NORGE 1200 IE 1200 2006

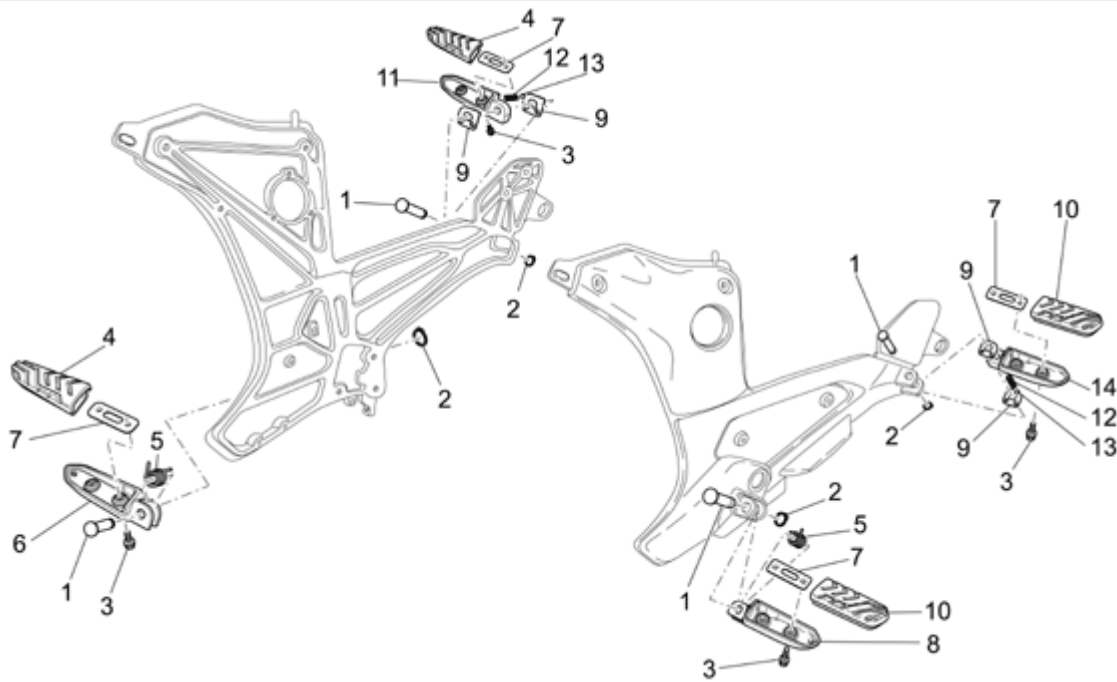
GU083

01

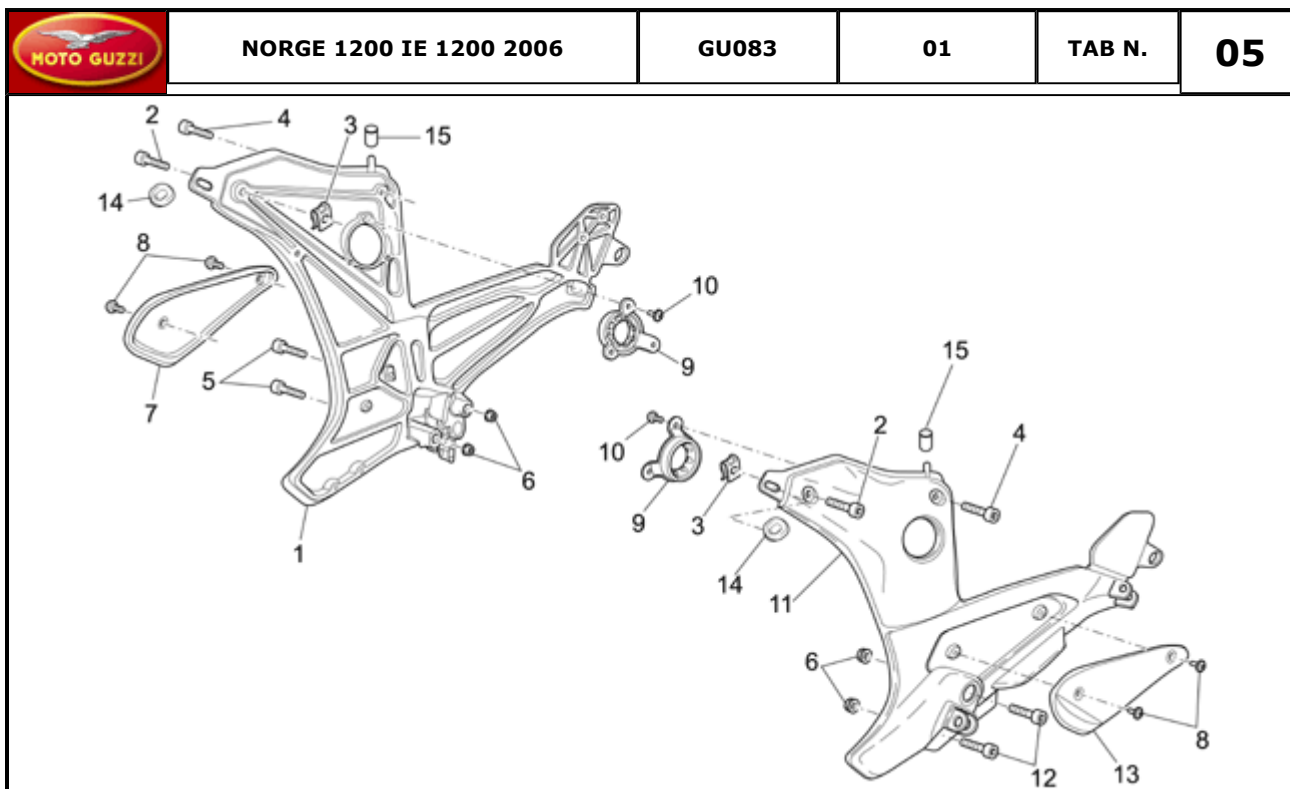
TAB N.

04

FOOT RESTS I


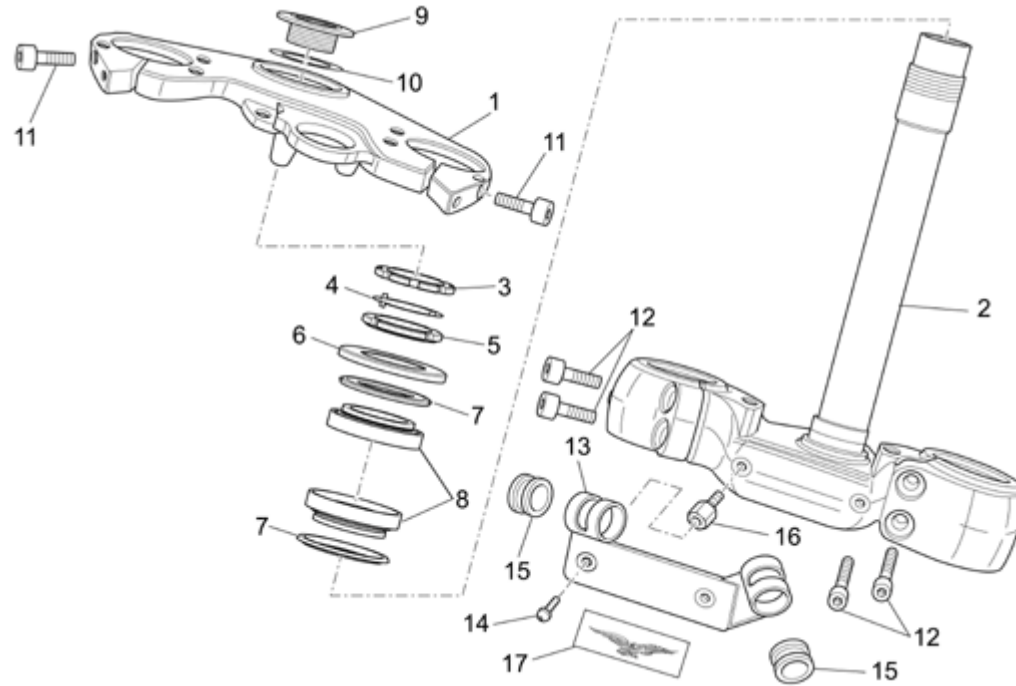


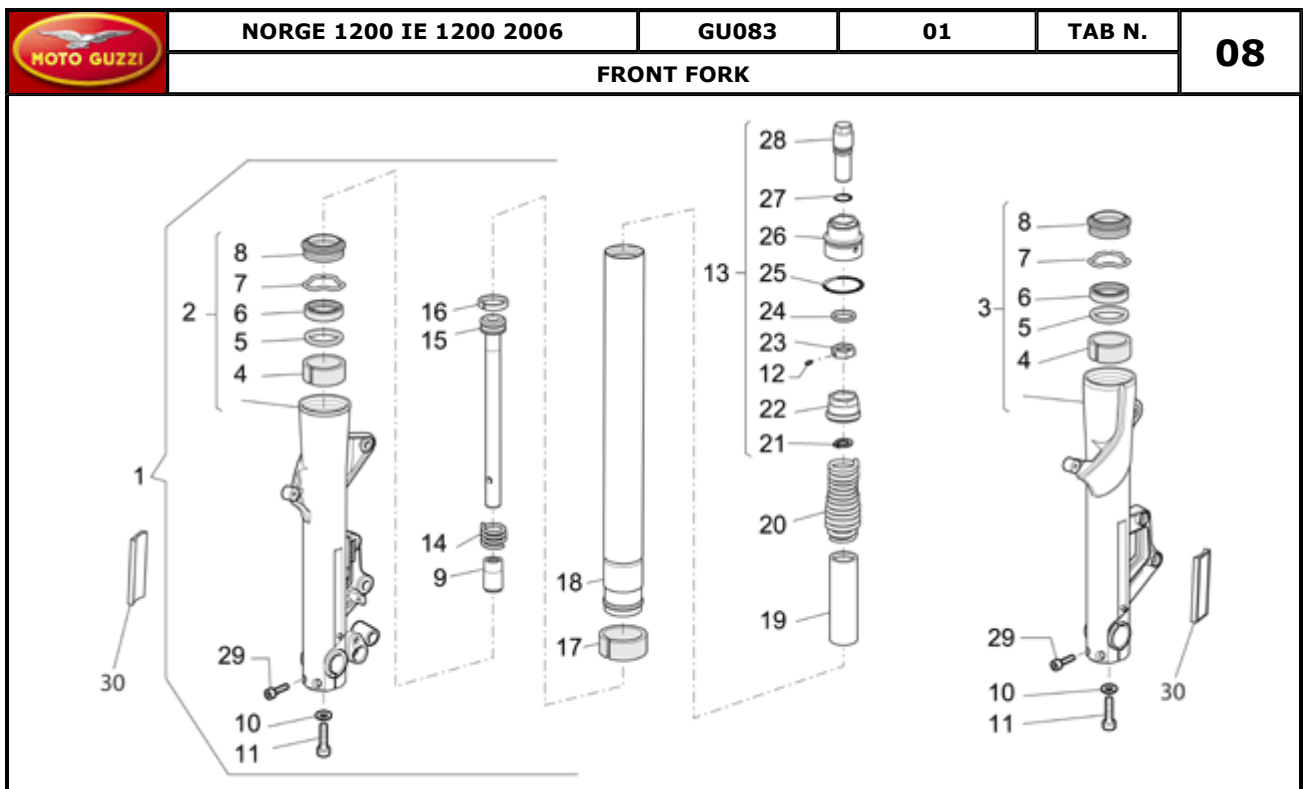
Pos.	Description	Year	I_M_	Country	Version	Code	Q.ty	P.Cod.
1	Pin	-	-	-	-	AP8121567	4	
2	Stop ring	-	-	-	-	AP8152409	4	
3	Screw w/ flange M6x12*	-	-	-	-	AP8152277	8	
4	Support rubber part	-	-	-	-	GU32443210	2	
5	Footrest return spring	-	-	-	-	AP8221277	2	
6	RH Foot rests	-	-	-	-	AP8145034	1	
7	Plate	-	-	-	-	GU32441210	4	
8	LH Foot rests	-	-	-	-	AP8145035	1	
9	Footrest plate	-	-	-	-	AP8134451	4	
10	Support rubber part	-	-	-	-	GU32443211	2	
11	Rear footrest, RH	-	-	-	-	GU32442310	1	
12	Coil compress. spring *	-	-	-	-	AP8121133	2	
13	Ball D6,35	-	-	-	-	AP8101861	2	
14	Rear footrest, LH	-	-	-	-	GU32442710	1	




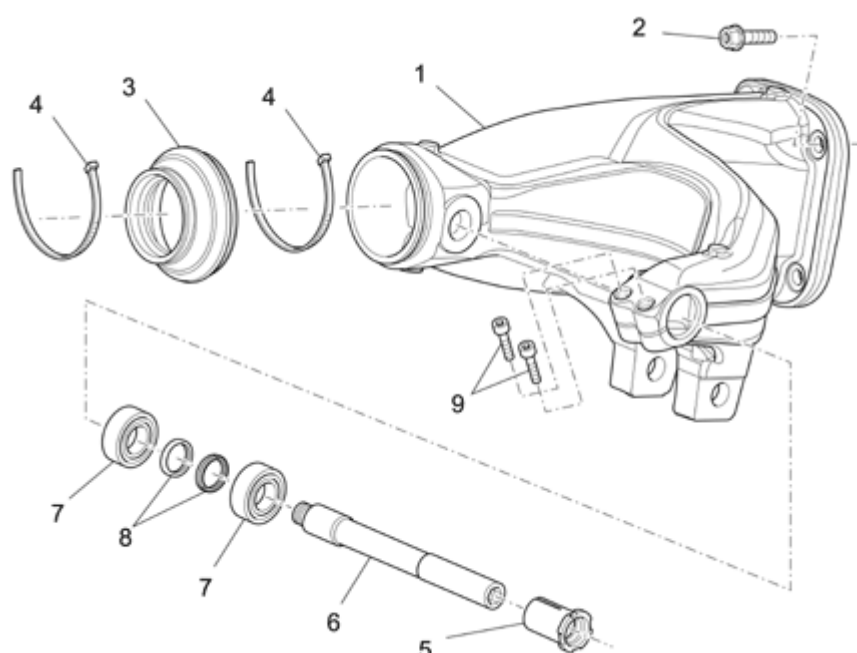
Pos.	Description	Year	I_M_	Country	Version	Code	Q.ty	P.Cod.
1	RH plate	-	-	-	-	977683	1	
2	Hex socket screw M8x30	-	-	-	-	GU98692430	2	
3	Nut with clip M8x1,25	-	-	-	-	GU01576530	2	
4	Hex socket screw M8x25	-	-	-	-	GU98692425	2	
5	Hex socket screw M8x40	-	-	-	-	GU98680440	2	
6	Self-locking nut M8*	-	-	-	-	AP8152300	4	
7	RH protection	-	-	-	-	GU05446930	1	
8	Screw w/ flange M5x9	-	-	-	-	AP8152339	4	
9	Ring	-	-	-	-	GU05446431	2	
10	Hex socket screw M5X10	-	-	-	-	GU98350210	6	
11	LH plate	-	-	-	-	977684	1	
12	Hex socket screw M8x55	-	-	-	-	AP8150046	2	
13	LH protection	-	-	-	-	GU05447430	1	
14	Rubber spacer	-	-	-	-	AP8220162	4	
15	Rubber spacer	-	-	-	-	AP8220526	2	

MOTO GUZZI	NORGE 1200 IE 1200 2006	GU083	01	TAB N.	06			
	GEAR LEVER							
Pos.	Description	Year	I_M	Country	Version	Code	Q.ty	P.Cod.
1	Gear lever	-	-	-	-	GU05251130	1	
2	Brake lever pin	-	-	-	-	AP8121221	1	
3	Lever rubber	-	-	-	-	AP8120912	1	
4	Hex socket screw M6x16	-	-	-	-	GU98682316	1	
5	Circlip d9	-	-	-	-	AP8150462	1	
6	Hex socket screw M6x20	-	-	-	-	GU98682320	1	
7	O-ring 11,11x1,78	-	-	-	-	AP8144007	2	
8	Washer 12,2X20X2	-	-	-	-	GU95008213	1	
9	Hex socket screw M6x20	-	-	-	-	GU98682320	1	
10	Lever	-	-	-	-	GU05258230	1	
11	Nut M6X1	-	-	-	-	GU92630707	2	
12	Change gear tie rod compl.	-	-	-	-	GU05257830	1	
13	Lever	-	-	-	-	GU05256930	1	

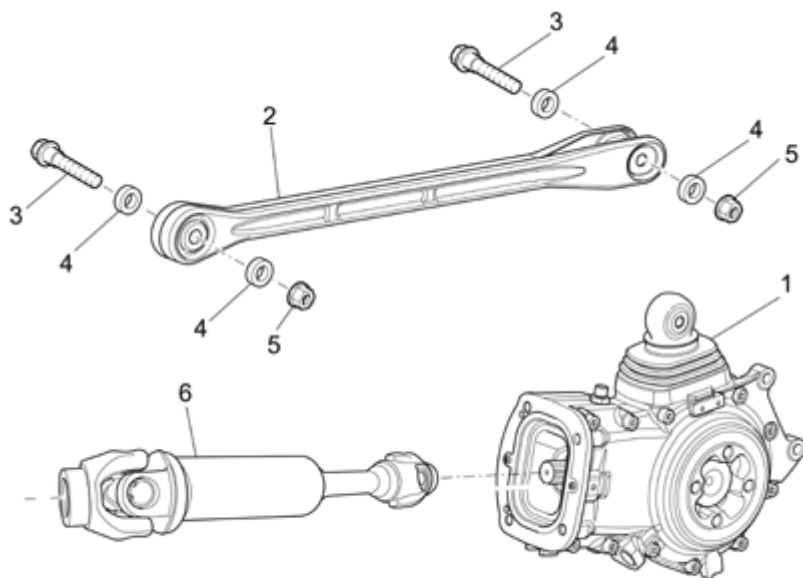
		NORGE 1200 IE 1200 2006		GU083	01	TAB N.	07		
STEERING									
									
Pos.	Description	Year	I_M	Country	Version	Code	Q.ty	P.Cod.	
1	Fork upper plate	-	-	-	-	GU05493130	1		
2	Stem base	-	-	-	-	GU05494030	1		
3	Return ring nut	-	-	-	-	AP8123643	1		
4	Steering security plate	-	-	-	-	AP8121207	1		
5	Ring nut	-	-	-	-	AP8123642	1		
6	Dust cover ring	-	-	-	-	AP8123644	1		
7	Dust cover ring	-	-	-	-	AP8123641	2		
8	Axial ball bearing	-	-	-	-	AP8110077	2		
9	Upper plate fixing bush	-	-	-	-	AP8121205	1		
10	Stem plug washer	-	-	-	-	AP8152384	1		
11	Hex socket screw M8x30	-	-	-	-	GU98682430	2		
12	Hex socket screw M8x25	-	-	-	-	GU98682425	4		
13	Brake hose fixing plate	-	-	-	-	977693	1		
14	Hex socket screw M5x20	-	-	-	-	GU98350215	2		
15	Ring	-	-	-	-	GU03658201	2		
16	Special screw	-	-	-	-	977618	2		
17	Decal "Aquila"	-	-	-	-	GU01517700	1		




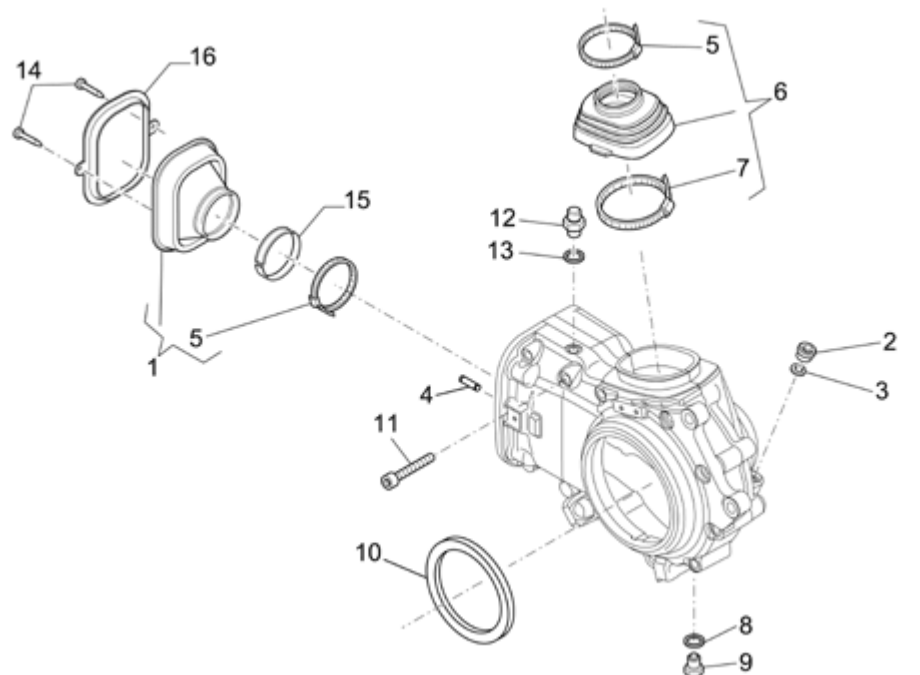
Pos.	Description	Year	I_M	Country	Version	Code	Q.ty	P.Cod.
1	Front fork "Marzocchi"	-	-	-	-	GU05490230	1	
2	RH sleeve	-	-	-	-	GU05490630	1	
3	LH sleeve	-	-	-	-	GU05490730	1	
4	Upper bush	-	-	-	-	GU03530528	2	
5	Cup	-	-	-	-	GU03530527	2	
6	Gasket ring	-	-	-	-	GU03530526	2	
7	Stop ring	-	-	-	-	GU03530525	2	
8	Dust cover	-	-	-	-	GU03530524	2	
9	Drift	-	-	-	-	GU03530551	2	
10	Washer 14x10,5x1,5	-	-	-	-	GU05530535	2	
11	Hex socket screw M10x35	-	-	-	-	GU98682535	2	
12	Dowel	-	-	-	-	GU01530501	2	
13	Plug cpl.	-	-	-	-	GU05504530	2	
14	Return spring	-	-	-	-	GU03530553	2	
15	Plunger, complete	-	-	-	-	GU05530530	2	
16	Ring	-	-	-	-	GU03530550	2	
17	Lower bush	-	-	-	-	GU03530510	2	
18	Sleeve	-	-	-	-	GU05525430	2	
19	Preload tube	-	-	-	-	GU05530531	2	
20	Spring	-	-	-	-	GU05526630	2	
21	Stop ring	-	-	-	-	GU90271016	2	
22	Bush	-	-	-	-	GU05530532	2	
23	Nut	-	-	-	-	GU05530533	2	
24	Fifth wheel	-	-	-	-	GU01530503	2	
25	O-ring	-	-	-	-	GU05530536	2	
26	Body	-	-	-	-	00000000	2	
27	O-ring	-	-	-	-	GU01530509	2	
28	Adjusting pin	-	-	-	-	GU05530534	2	
29	Hex socket screw M6X40	-	-	-	-	GU98680340	4	
30	Reflector, amber	-	-	USA	-	GU05781630	2	

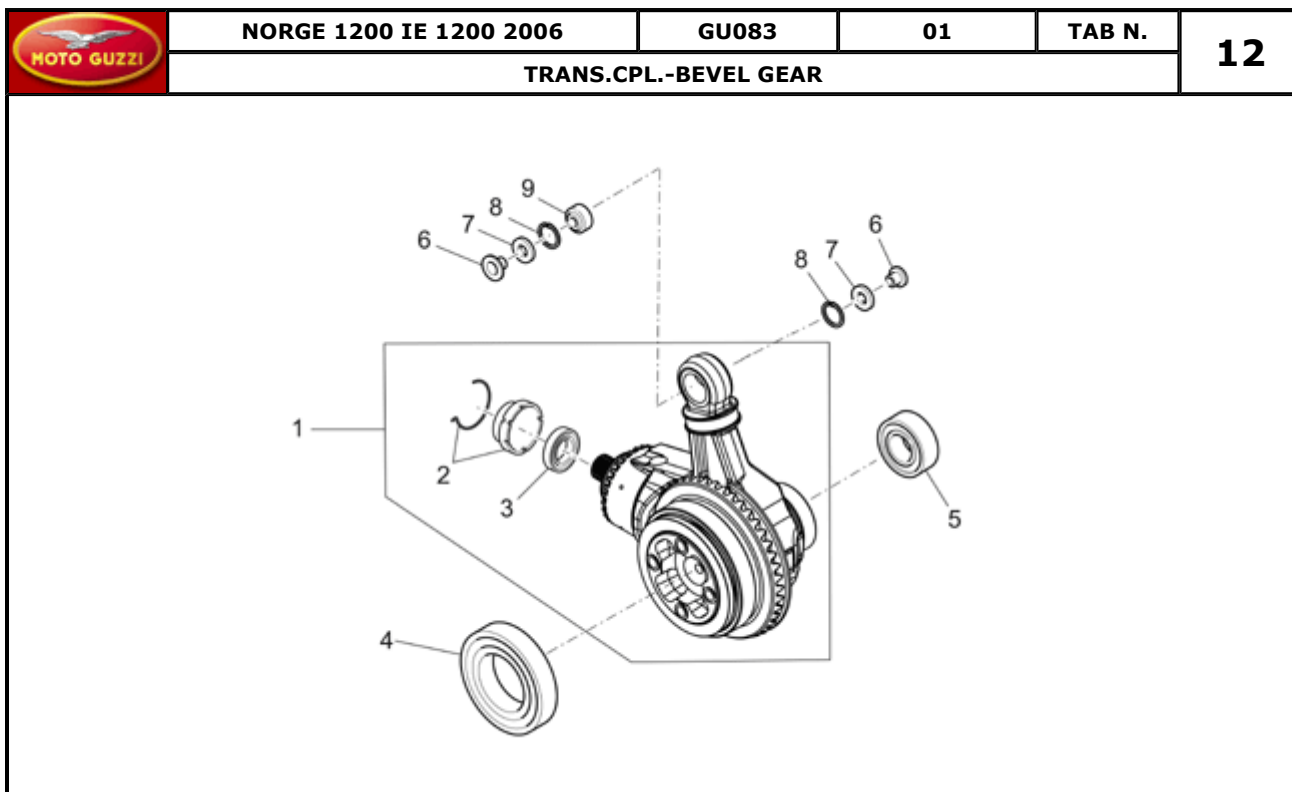
		NORGE 1200 IE 1200 2006	GU083	01	TAB N.	09		
SWING ARM								
								
Pos.	Description	Year	I_M	Country	Version	Code	Q.ty	P.Cod.
1	Swingarm	-	-	-	-	977261	1	
2	Screw w/ flange M10x35	-	-	-	-	AP8152318	4	
3	Rubber bellows	-	-	-	-	GU05548030	1	
4	Hose clamp 3,6x375	-	-	-	-	GU93304390	2	
5	Bush	-	-	-	-	GU05547130	1	
6	Pin	-	-	-	-	GU05547030	1	
7	Roller bearing 25x47x17	-	-	-	-	GU92249224	2	
8	Gasket ring	-	-	-	-	GU05547930	2	
9	Hex socket screw M6x25	-	-	-	-	GU98682325	2	

	NORGE 1200 IE 1200 2006	GU083	01	TAB N.	10
	TRANSMISSION COMPLETE				



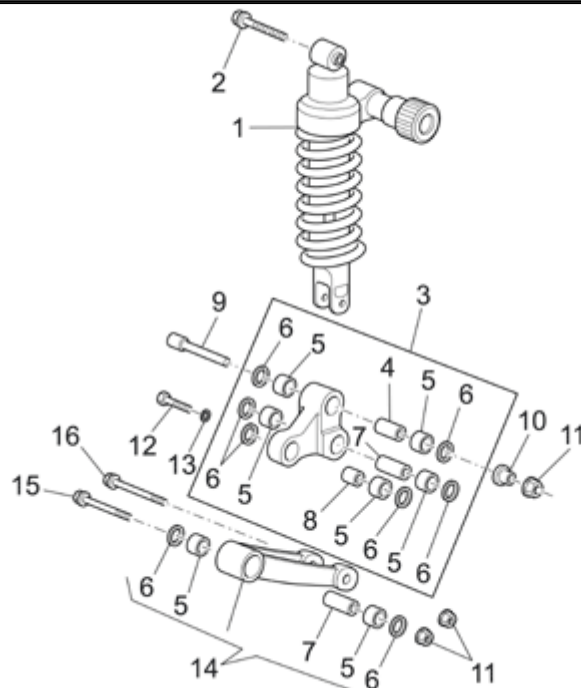
Pos.	Description	Year	I_M	Country	Version	Code	Q.ty	P.Cod.
1	Transmission assygrey	-	-	-	-	976126	1	
2	Reaction rod assy.	-	-	-	-	977262	1	
3	Screw w/ flange M10x55	-	-	-	-	AP8152410	2	
4	Spacer 10,2x20x4	-	-	-	-	AP8121218	4	
5	Nut M10	-	-	-	-	AP8152242	2	
6	Drive shaft	-	-	-	-	GU05326330	1	

		NORGE 1200 IE 1200 2006		GU083	01	TAB N.	11	
		TRANS.CPL.-CAGE						
								
Pos.	Description	Year	I_M_	Country	Version	Code	Q.ty	P.Cod.
1	Upper dust cover	-	-	-	-	GU05358330	1	
2	Oil plug M12x1,5	-	-	-	-	GU05351230	1	
3	Washer	-	-	-	-	GU90718120	1	
4	Pin 6x20	-	-	-	-	GU95510620	2	
5	Hose clamp	-	-	-	-	GU05358130	2	
6	Upper dust cover	-	-	-	-	GU05358030	1	
7	Hose clamp	-	-	-	-	GU05358230	1	
8	Gasket 10x18x1,5	-	-	-	-	GU01528930	1	
9	Oil unload plug M10X1	-	-	-	-	GU31003766	1	
10	Gasket ring 85x110x8BASL	-	-	-	-	GU90408511	1	
11	Hex socket screw M8x50	-	-	-	-	GU98680450	11	
12	Breather plug	-	-	-	-	GU05206530	1	
13	Gasket 10x18x1,5	-	-	-	-	GU01528930	1	
14	Screw M3,9x6,5	-	-	-	-	GU99210406	2	
15	Ring	-	-	-	-	GU05358530	1	
16	Gasket	-	-	-	-	GU05358630	1	

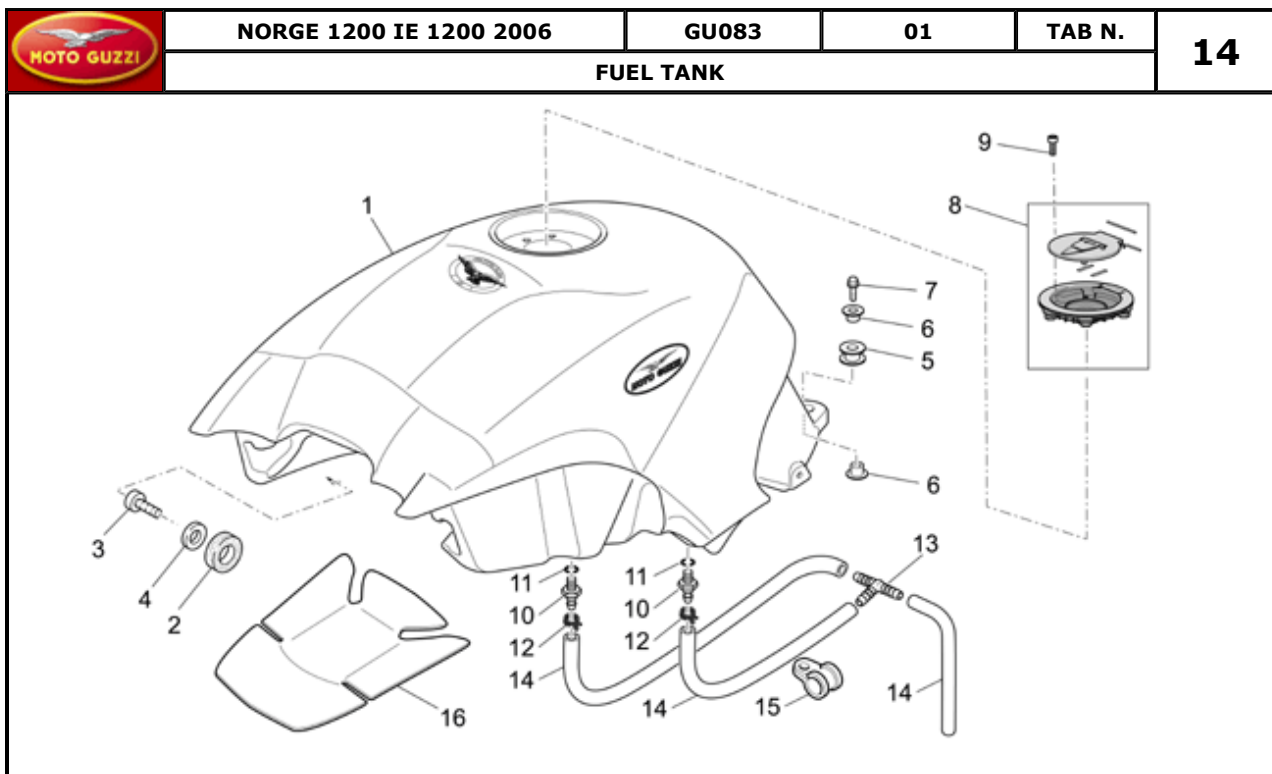


Pos.	Description	Year	I_M	Country	Version	Code	Q.ty	P.Cod.
1	Bevel gear kit 12/44	-	-	-	-	GU05354230	1	
2	Ring nut	-	-	-	-	GU05352430	1	
3	Gasket ring 45x58x7	-	-	-	-	GU90404558	1	
4	Ball bearing 85x120x18	-	-	-	-	GU92208518	1	
5	Ball bearing 30x62x16	-	-	-	-	GU92204230	1	
6	Bush	-	-	-	-	AP8121098	2	
7	Gasket ring	-	-	-	-	AP8120485	2	
8	Circlip	-	-	-	-	GU90273026	2	
9	Ball joint	-	-	-	-	GU05638130	1	

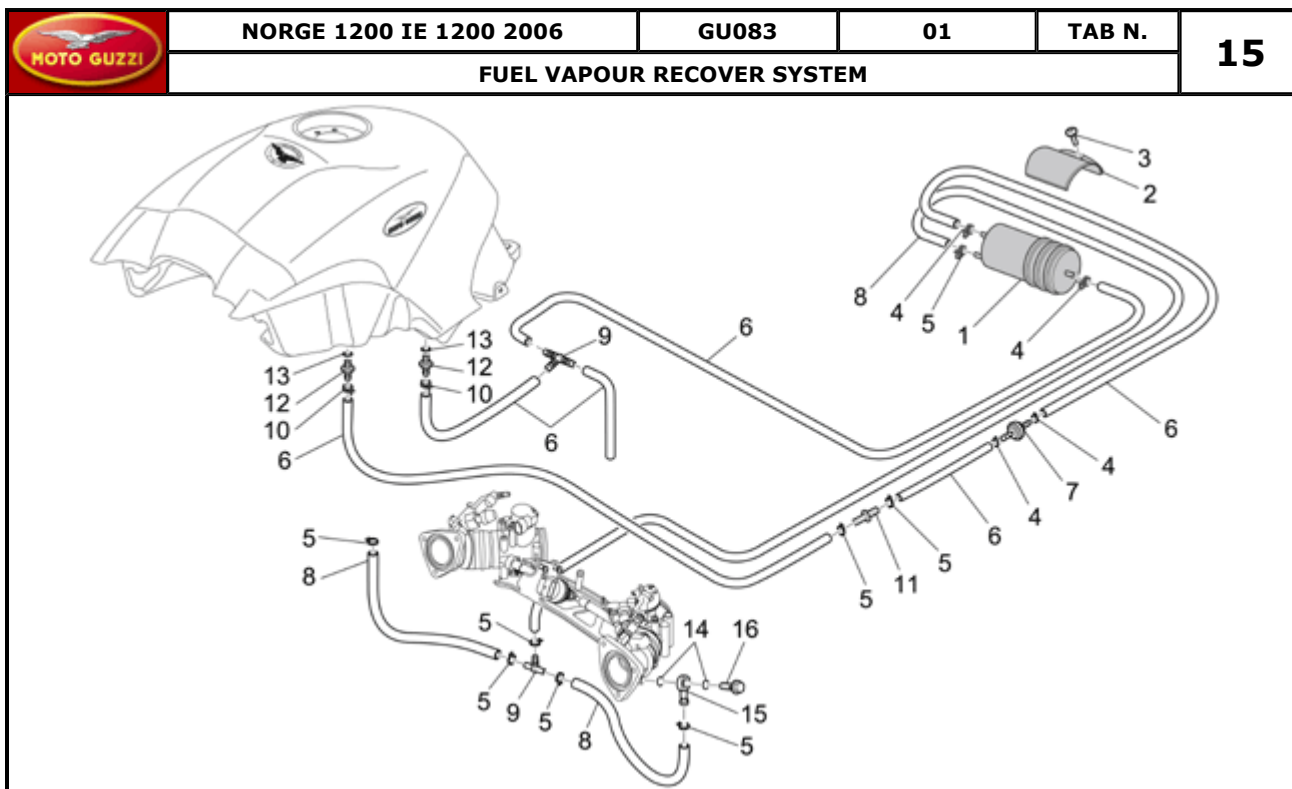
	NORGE 1200 IE 1200 2006	GU083	01	TAB N.	13
	CONNECTING ROD - REAR SHOCK ABS.				




Pos.	Description	Year	I_M	Country	Version	Code	Q.ty	P.Cod.
1	Shock absorber	-	-	-	-	GU05550230	1	
2	Screw w/ flange M10x80	-	-	-	-	AP8152398	1	
3	Double conrod	-	-	-	-	GU05560330	1	
4	Double connecting rod pin L40	-	-	-	-	AP8135924	1	
5	Needle bearing	-	-	-	-	AP8110066	7	
6	Oil seal D18x24x3	-	-	-	-	AP8110068	8	
7	Double connecting rod pin L47	-	-	-	-	GU05562030	2	
8	Double connecting rod pin L25	-	-	-	-	AP8135608	1	
9	Hex socket screw M10x82	-	-	-	-	AP8152397	1	
10	T bush *	-	-	-	-	AP8121155	1	
11	Self-locking nut M10*	-	-	-	-	AP8152301	3	
12	Hex screw M10x47	-	-	-	-	AP8152147	1	
13	Curved spring washer *	-	-	-	-	AP8150292	1	
14	Single conrod comp.	-	-	-	-	GU05562430	1	
15	Screw w/ flange M10x85	-	-	-	-	AP8152482	1	
16	Screw w/ flange M10x95	-	-	-	-	AP8152396	1	



Pos.	Description	Year	I_M_	Country	Version	Code	Q.ty	P.Cod.
1	Fuel tank, grey	-	-	AUS-EU-J-UK	-	e/gr GU05100230F2	1	
	Fuel tank, black	-	-	AUS-EU-J-UK	-	g/bl GU05100230ND	1	
	Fuel tank red	-	-	AUS-EU-J-UK	-	r/re GU05100231	1	
	Fuel tank blank	-	-	USA	-	GU05100235	1	
	Fuel tank, grey	-	-	USA	-	e/gr GU05100235F2	1	
	Fuel tank, black	-	-	USA	-	g/bl GU05100235ND	1	
	Fuel tank red	-	-	USA	-	r/re GU05100236	1	
	Fuel tank blank	-	-	AUS-EU-J-UK	-	GU05100230	1	
2	Rubber spacer *	-	-	-	-	AP8201124	2	
3	Hex socket screw M8X14	-	-	-	-	GU98682414	2	
4	Washer 8,4X15X1,5	-	-	-	-	GU95008208	2	
5	Rubber spacer	-	-	-	-	GU02107100	1	
6	Spacer *	-	-	-	-	AP8121804	2	
7	Screw w/ flange M8x45*	-	-	-	-	AP8152291	1	
8	Tank cap	-	-	-	-	GU05103930	1	
9	Hex socket screw M5x16	-	-	-	-	GU98692216	4	
10	Union	-	-	-	-	GU30103730	2	
11	O-ring 2018	-	-	-	-	AP8120965	2	
12	Hose clamp D10,1*	-	-	-	-	AP8101595	2	
13	3-way union	-	-	-	-	AP8104666	1	
14	Fuel pipe 5,5x10	-	-	-	-	AP8120952	3	
15	Cable-guide	-	-	-	-	AP8104451	2	
16	Fuel tank central insulation	-	-	-	-	GU05102930	1	


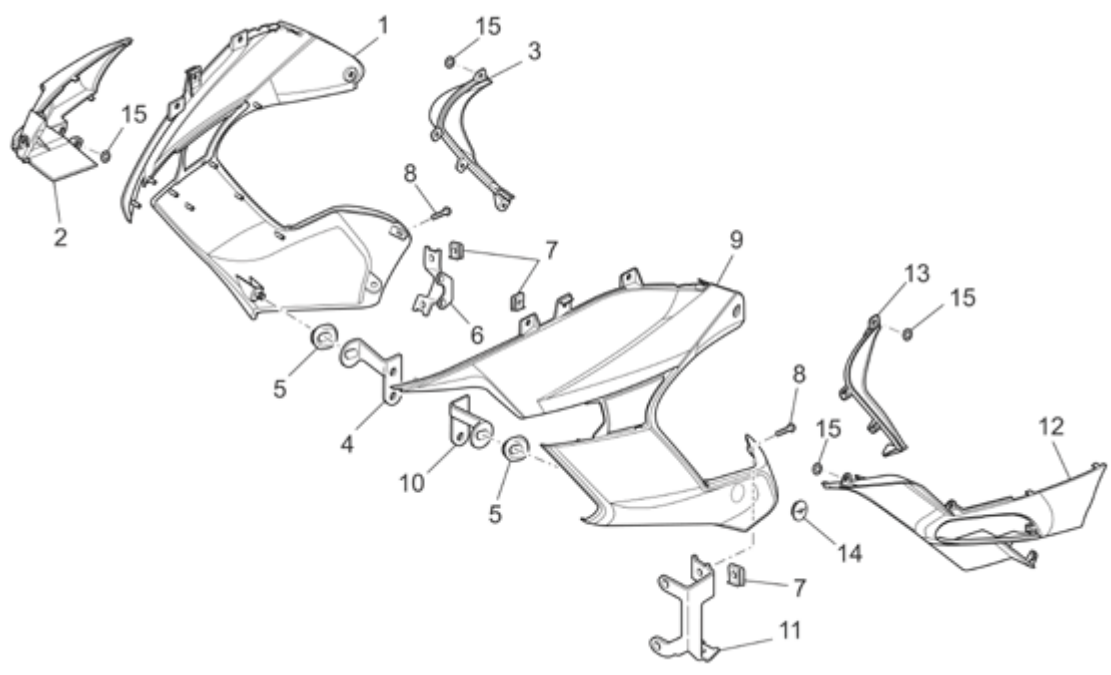


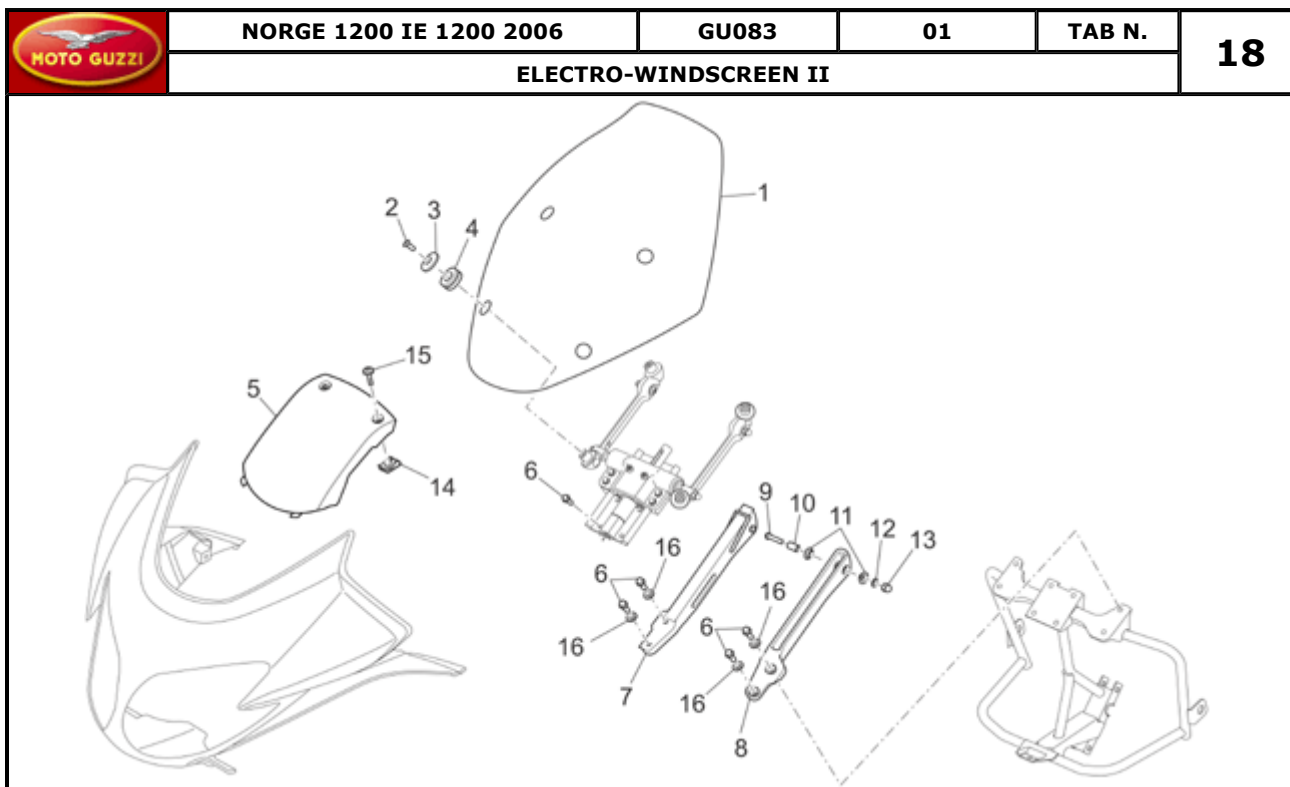
Pos.	Description	Year	I_M_	Country	Version	Code	Q.ty	P.Cod.
1	Carbon filter	-	-	USA	-	AP8102678	1	
2	Canister support plate	-	-	USA	-	AP8134884	1	
3	Phillips screw, SWP M5X20	-	-	USA	-	AP8152329	1	
4	Hose clamp D11,3	-	-	USA	-	AP8102358	4	
5	Hose clamp D9,1*	-	-	USA	-	AP8102377	8	
6	Fuel pipe 5,5x10	-	-	USA	-	AP8120952	3	
7	Pressure valve	-	-	USA	-	AP8104614	1	
8	Breather pipe 4x8	-	-	USA	-	AP8220263	3	
9	3-way union	-	-	USA	-	AP8104666	2	
10	Hose clamp D10,1*	-	-	USA	-	AP8101595	2	
11	2-way union	-	-	USA	-	AP8101944	1	
12	Union	-	-	USA	-	GU30103730	2	
13	O-ring 2018	-	-	USA	-	AP8120965	2	
14	O-ring 6x1	-	-	USA	-	GU90706009	4	
15	Union	-	-	USA	-	GU95963062	2	
16	Bored screw M6X1	-	-	USA	-	GU95990023	2	

	NORGE 1200 IE 1200 2006	GU083	01	TAB N.	16			
	FRONT BODY I							
Pos.	Description	Year	I_M_	Country	Version	Code	Q.ty	P.Cod.

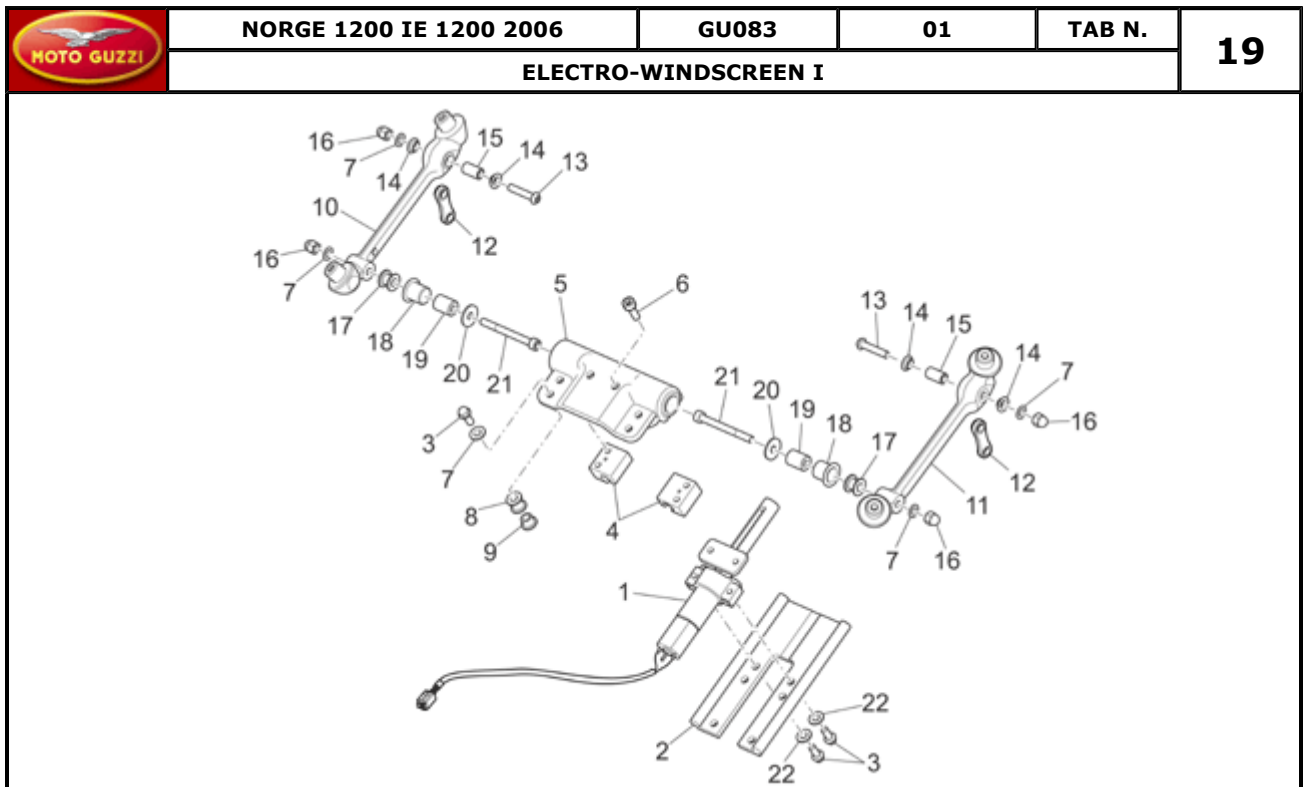
1	Windshield, grey	-	-	-	e/gr	977100F2	1	
	Front fairing, black	-	-	-	g/bl	977100ND	1	
	Windshield, red	-	-	-	r/re	977100Y01	1	
	Headlight windshield blank	-	-	-	-	977100	1	
2	Windscreen	-	-	-	-	977118	1	
3	Screw TSPEI M6X18	-	-	-	-	GU98257618	4	
4	Special washer	-	-	-	-	269787	4	
5	Rubber spacer	-	-	-	-	560173	4	
6	RH support	-	-	-	-	977583	1	
7	LH support	-	-	-	-	977584	1	
8	Special screw	-	-	-	-	977600	4	
9	Washer 8,4x18x2	-	-	-	-	GU95005310	2	
10	Washer 8,4X13X0,8	-	-	-	1A	GU14615901	4	
11	Knob	-	-	-	-	977681	2	
12	RH clamp	-	-	-	-	977596	1	
13	LH clamp	-	-	-	-	977597	1	
14	Screw w/ flange M6x16*	-	-	-	-	AP8152278	4	
15	T bush 8,2x10,2x11,6	-	-	-	-	977698	2	
16	Cap nut M8x1,25	-	-	-	-	GU92787008	2	
17	Clip M5	-	-	-	-	AP8102375	12	
18	Screw w/ flange M5x9	-	-	-	-	AP8152339	8	
19	Hex socket screw M5x16	-	-	-	-	GU98692216	2	
20	T bush 8,2x10,2x4	-	-	-	-	977699	4	
21	Nut M8	-	-	-	2A	GU92640708	2	
22	Black plug	-	-	-	2A	978170	2	
23	Washer 8,4x15	-	-	-	2A	GU03270300	2	
24	Washer 8,4X13X0,8	-	-	-	1A	GU14615901	2	

Text

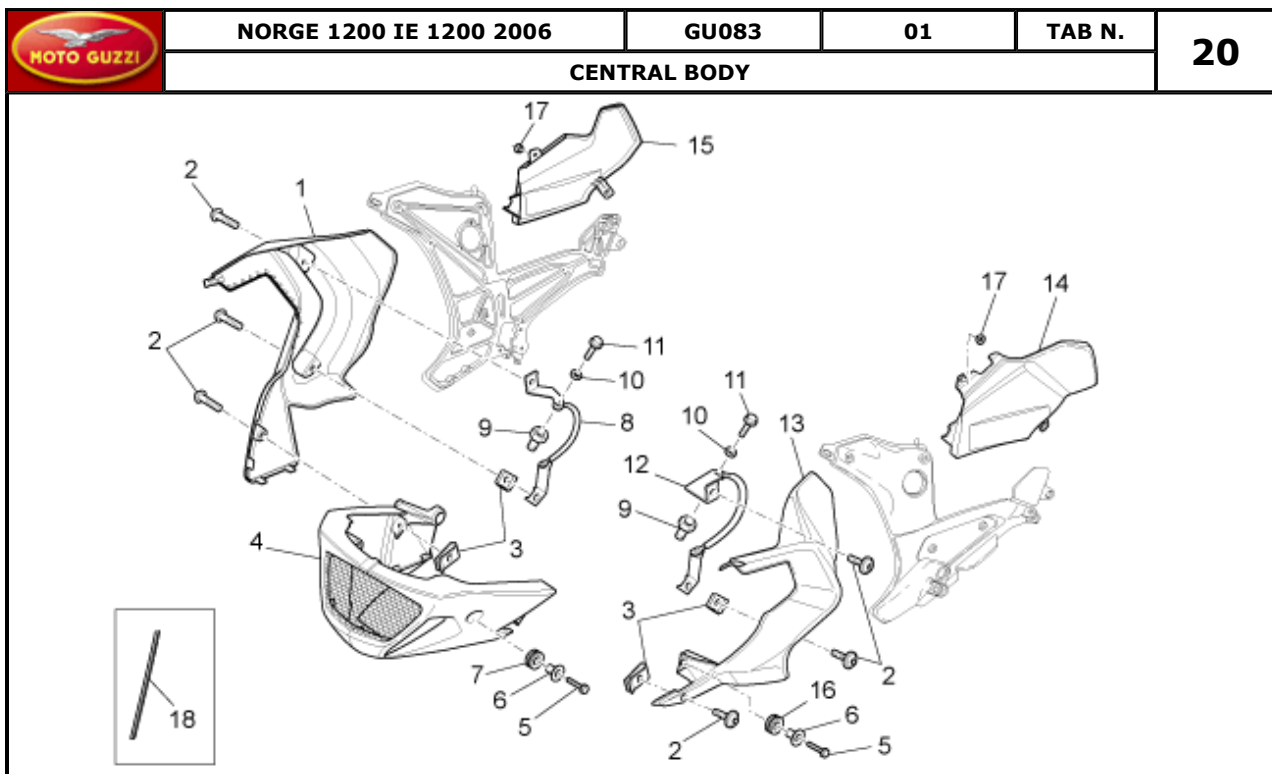
		NORGE 1200 IE 1200 2006		GU083	01	TAB N.	17	
		FRONT BODY II						
								
Pos.	Description	Year	I_M	Country	Version	Code	Q.ty	P.Cod.
1	RH lat.fairing, grey	-	-	-	-	e/gr	977104F2	1
	RH lat.fairing, black	-	-	-	-	g/bl	977104ND	1
	RH lat.fairing, red	-	-	-	-	r/re	977104Y01	1
	RH fairing blank	-	-	-	-	-	977104	1
2	RH turn indicator support	-	-	-	-	-	977106	1
3	RH baffle, chrome	-	-	-	-	-	977108	1
4	RH plate	-	-	-	-	-	977125	1
5	Rubber spacer	-	-	-	-	-	AP8220162	2
6	R H rear plate	-	-	-	-	-	977119	1
7	Clip M4	-	-	-	-	-	AP8102381	4
	Clip M5	-	-	-	-	-	AP8102375	6
8	Screw w/ flange M5x9	-	-	-	-	-	AP8152339	4
9	LH lat.fairing, grey	-	-	-	-	-	977103F2	1
	LH lat.fairing, grey	-	-	-	-	e/gr	977103F2	1
	LH lat.fairing, black	-	-	-	-	g/bl	977103ND	1
	LH lat.fairing, red	-	-	-	-	r/re	977103Y01	1
10	LH plate	-	-	-	-	-	977126	1
11	L H rear plate	-	-	-	-	-	977121	1
12	LH turn indicator support	-	-	-	-	-	977105	1
13	LH baffle, chrome	-	-	-	-	-	977107	1
14	Plug	-	-	-	-	-	GU05002130	1
15	Washer for shafts D5	-	-	-	-	-	AP8150450	8



Pos.	Description	Year	I_M	Country	Version	Code	Q.ty	P.Cod.
1	Windscreen	-	-	-	GTL-TL	977118	1	
2	Screw TSPEI M6X18	-	-	-	GTL-TL	GU98257618	4	
3	Special washer	-	-	-	GTL-TL	269787	4	
4	Rubber spacer	-	-	-	GTL-TL	560173	4	
5	Protection	-	-	-	GTL-TL	977854	1	
6	Screw w/ flange M6x16*	-	-	-	GTL-TL	AP8152278	8	
7	RH support	-	-	-	GTL-TL	977604	1	
8	LH support	-	-	-	GTL-TL	977605	1	
9	Hex socket screw M6x30	-	-	-	GTL-TL	GU98370630	2	
10	Spacer	-	-	-	GTL-TL	977644	2	
11	Bush	-	-	-	GTL-TL	977645	4	
12	Washer 6,4x12	-	-	-	GTL-TL	GU03013800	2	
13	Cap nut M6x1	-	-	-	GTL-TL	GU92787006	2	
14	Clip M5	-	-	-	GTL-TL	AP8102375	2	
15	Screw w/ flange M5x16	-	-	-	GTL-TL	AP8152298	2	
16	Washer 6,4x10x0,7	-	-	-	GTL-TL	GU14217901	4	




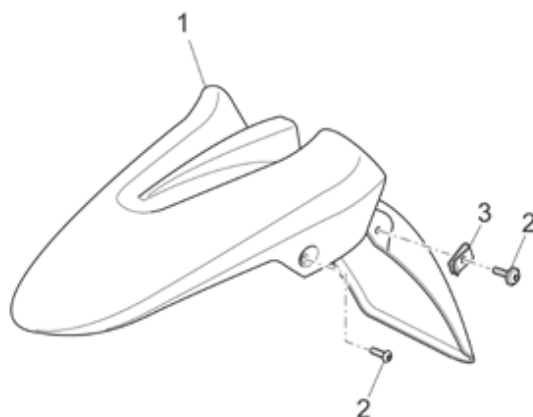
Pos.	Description	Year	I_M	Country	Version	Code	Q.ty	P.Cod.
1	Motor kit	-	-	-	GTL-TL	978060	1	
2	Steering block	-	-	-	GTL-TL	977610	1	
3	Screw w/ flange M6x16*	-	-	-	GTL-TL	AP8152278	6	
4	Sliding block	-	-	-	GTL-TL	977638	2	
5	Plate	-	-	-	GTL-TL	977609	1	
6	Hex socket screw M6x10	-	-	-	GTL-TL	GU98682310	2	
7	Washer 6,4x12	-	-	-	GTL-TL	GU03013800	8	
8	Rubber spacer	-	-	-	GTL-TL	978152	4	
9	T bush *	-	-	-	GTL-TL	AP8121795	4	
10	RH support	-	-	-	GTL-TL	977606	1	
11	LH support	-	-	-	GTL-TL	977607	1	
12	Connecting rod	-	-	-	GTL-TL	977608	2	
13	Hex socket screw M6x30	-	-	-	GTL-TL	GU98370630	2	
14	Bush	-	-	-	GTL-TL	977645	4	
15	Spacer	-	-	-	GTL-TL	977644	2	
16	Cap nut M6x1	-	-	-	GTL-TL	GU92787006	4	
17	Spacer	-	-	-	GTL-TL	977881	2	
18	Bush	-	-	-	GTL-TL	977641	2	
19	Spacer	-	-	-	GTL-TL	977646	2	
20	Washer 6,5x20x1,5	-	-	-	GTL-TL	GU95005320	2	
21	Hex socket screw M6x60	-	-	-	GTL-TL	GU98680360	2	
22	Washer 6,4x10x0,7	-	-	-	GTL-TL	GU14217901	2	



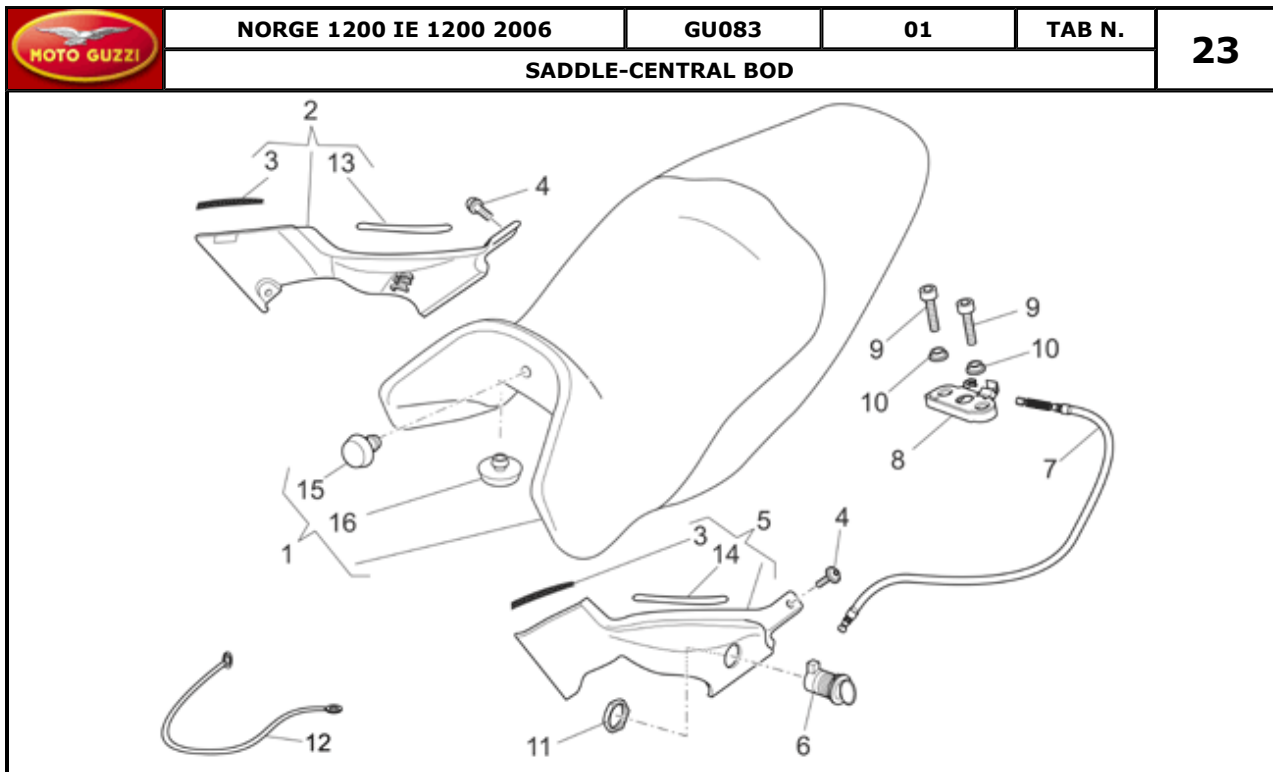
Pos.	Description	Year	I_M_	Country	Version	Code	Q.ty	P.Cod.
1	RH side panel, grey	-	-	-	GT-GTL e/gr	977110F2	1	
	RH side panel, black	-	-	-	GT-GTL g/bl	977110ND	1	
	RH side panel, red	-	-	-	GT-GTL r/re	977110Y01	1	
	RH side panel, blank	-	-	-	GT-GTL -	977110	1	
2	Screw w/ flange M5x9	-	-	-	GT-GTL -	AP8152339	6	
3	Clip M5	-	-	-	GT-GTL -	AP8102375	6	
4	Pillar, grey	-	-	-	GT-GTL e/gr	977721F2	1	
	Pillar, black	-	-	-	GT-GTL g/bl	977721ND	1	
	Pillar, red	-	-	-	GT-GTL r/re	977721Y01	1	
5	Screw w/ flange M8x25*	-	-	-	GT-GTL -	AP8152287	4	
6	T bush 8,5x10,7x12	-	-	-	GT-GTL -	AP8221128	4	
7	Rubber spacer	-	-	-	GT-GTL -	AP8120594	3	
8	RH support	-	-	-	GT-GTL -	977619	1	
9	Special screw	-	-	-	GT-GTL -	977618	2	
10	Spring washer 5,3X10X0,5	-	-	-	GT-GTL -	GU95129100	2	
11	Screw w/ flange M5x12	-	-	-	GT-GTL -	AP8152272	4	
12	LH support	-	-	-	GT-GTL -	977623	1	
13	LH side panel, blank	-	-	-	GT-GTL -	977109	1	
	LH side panel, grey	-	-	-	GT-GTL e/gr	977109F2	1	
	LH side panel, black	-	-	-	GT-GTL g/bl	977109ND	1	
	LH side panel, red	-	-	-	GT-GTL r/re	977109Y01	1	
14	LH rear wall	-	-	-	GT-GTL -	977113	1	
15	RH rear wall	-	-	-	GT-GTL -	977114	1	
16	Rubber spacer *	-	-	-	2A-GT-GTL -	AP8120030	1	
	Rubber spacer	-	-	-	1A-GT-GTL -	AP8120594	1	
17	Spacer	-	-	-	GT-GTL -	GU31576183	2	
18	Gasket PVC	-	-	-	GT-GTL -	GU00823931080	2	

MOTO GUZZI		NORGE 1200 IE 1200 2006	GU083	01	TAB N.	21		
PILLAR								
Pos.	Description	Year	I_M_	Country	Version	Code	Q.ty	P.Cod.
1	RH Pillar	-	-	-	T-TL	-	GU05570530	1
2	LH Pillar	-	-	-	T-TL	-	GU05570630	1
3	Clip M5	-	-	-	T-TL	-	AP8102375	3
4	Screw w/ flange M5x9	-	-	-	T-TL	-	AP8152339	3
5	Screw w/ flange M8x25*	-	-	-	T-TL	-	AP8152287	4
6	T bush 8,5x10,7x12	-	-	-	T-TL	-	AP8221128	4
7	Rubber spacer	-	-	-	T-TL	-	AP8120594	4
8	Washer	-	-	-	-	-	GU95008308	4

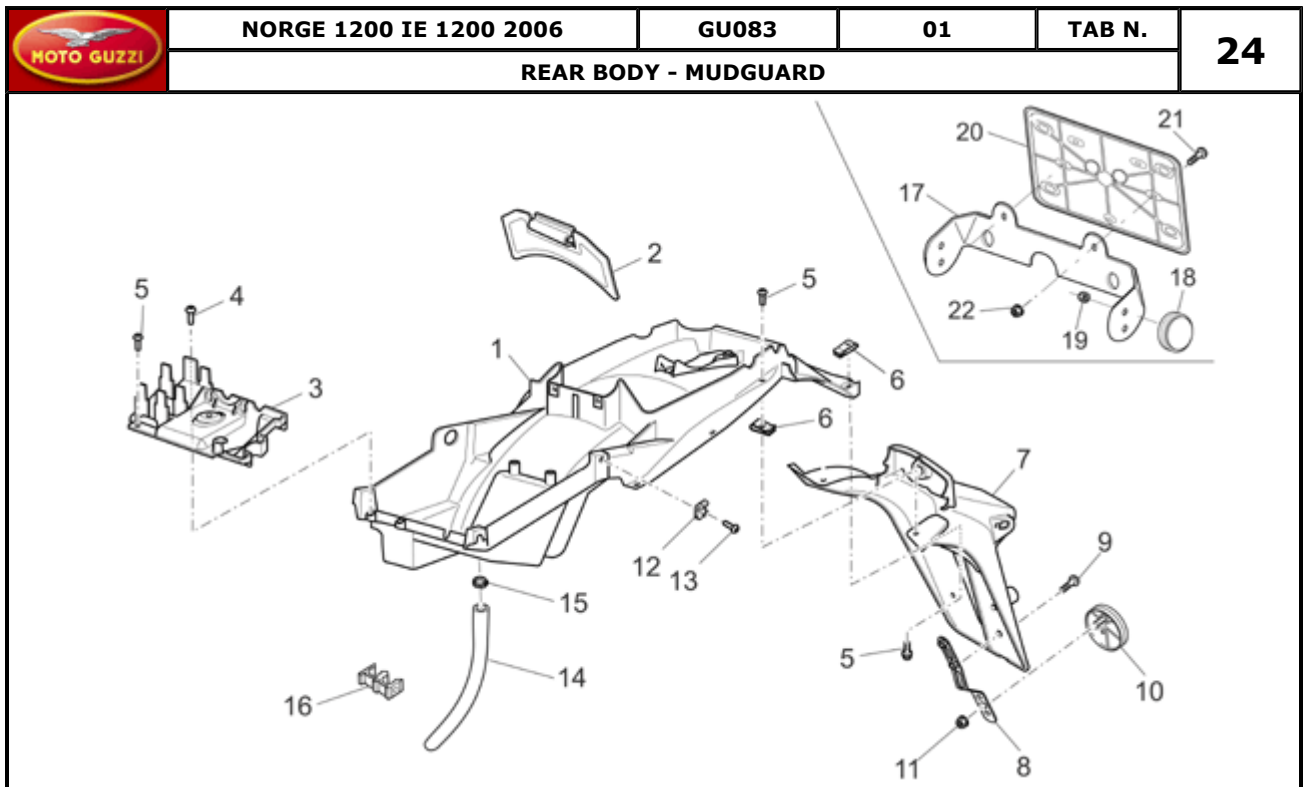
	NORGE 1200 IE 1200 2006	GU083	01	TAB N.	22
	FRONT MUDGUARD				



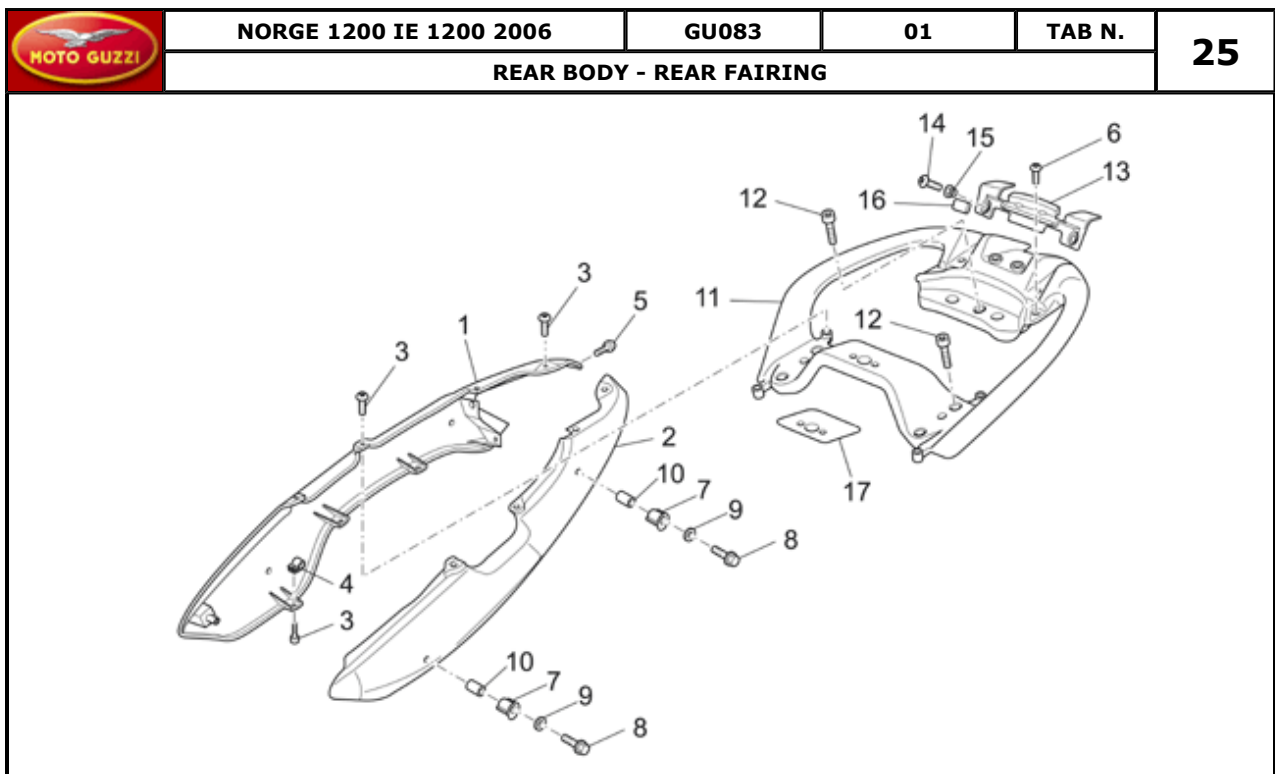
Pos.	Description	Year	I_M_	Country	Version	Code	Q.ty	P.Cod.
1	Front mudguard, red	-	-	-	-	r/re GU05434330Y01	1	
	Front mudguard, black	-	-	-	-	g/bl GU05434330ND	1	
	Front mudguard, grey	-	-	-	-	e/gr GU05434330F2	1	
	Front mudguard blank	-	-	-	-	GU05434330	1	
2	Screw w/ flange M5x12	-	-	-	-	AP8152302	4	
3	Clip M5	-	-	-	-	AP8102375	2	



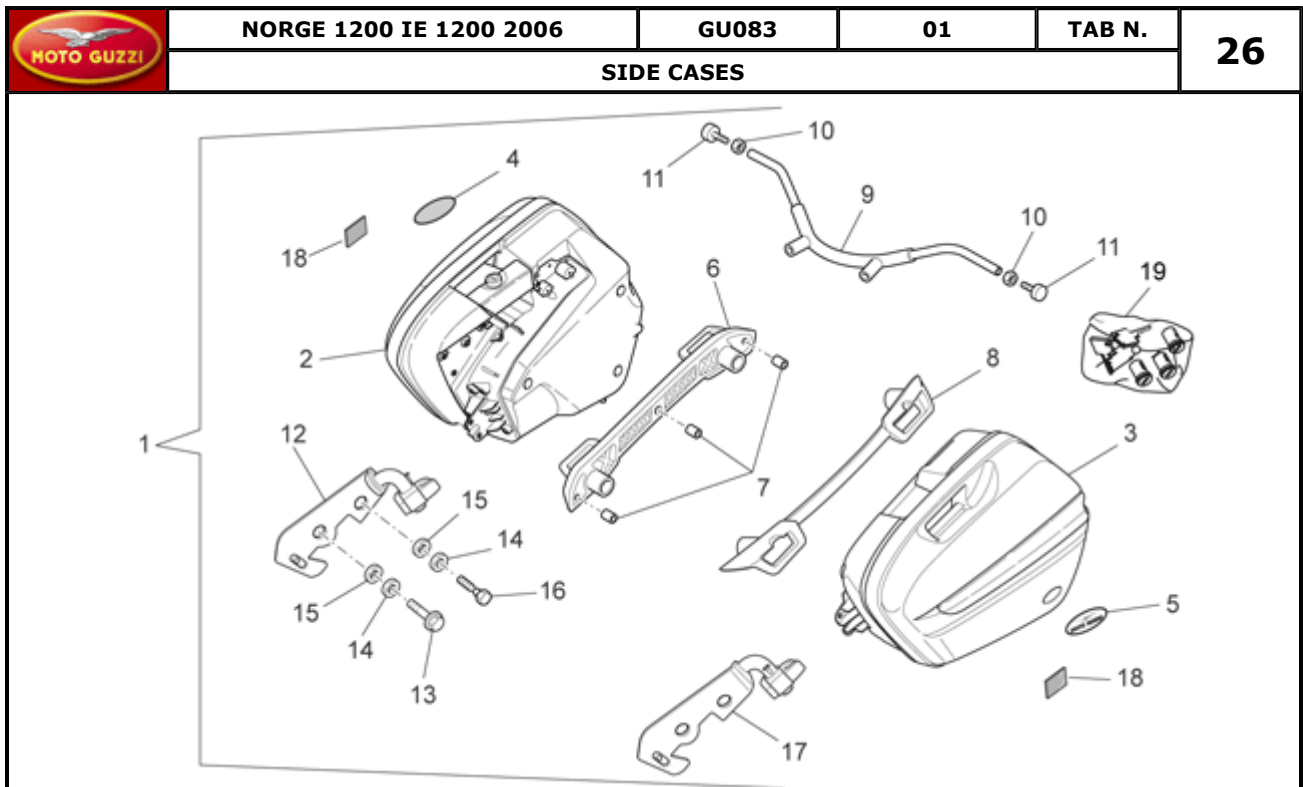
Pos.	Description	Year	I_M_	Country	Version	Code	Q.ty	P.Cod.
1	Saddle, black	-	-	-	-	977692	1	
2	RH body panel blank	-	-	-	-	GU05570230	1	
	RH side panel, grey	-	-	-	e/gr	GU05570230F2	1	
	RH side panel, black	-	-	-	g/bl	GU05570230ND	1	
	RH side panel, red	-	-	-	r/re	GU05570231	1	
3	Gasket	-	-	-	-	AP8144538	2	
4	Screw w/ flange M5x9	-	-	-	-	AP8152339	2	
5	LH side panel, red	-	-	-	r/re	GU05570431	1	
	LH body panel blank	-	-	-	-	GU05570430	1	
	LH side panel, grey	-	-	-	e/gr	GU05570430F2	1	
	LH side panel, black	-	-	-	g/bl	GU05570430ND	1	
6	Saddle lock	-	-	-	-	GU05466830	1	
7	Saddle release cable	-	-	-	-	AP8102914	1	
8	Pass.saddle connecting plate	-	-	-	-	AP8102913	1	
9	Hex socket screw M6X25	-	-	-	-	GU98370625	2	
10	Self-locking nut M6*	-	-	-	-	AP8152299	2	
11	Lock nut	-	-	-	-	AP8102523	1	
12	Helmet lock cable	-	-	-	-	AP8102502	1	
13	RH side fairing decal	-	-	-	-	GU05573830	1	
14	LH side fairing decal	-	-	-	-	GU05573831	1	
15	Rubber spacer	-	-	-	-	GU32461810	5	
16	Rubber spacer	-	-	-	-	GU32461610	10	



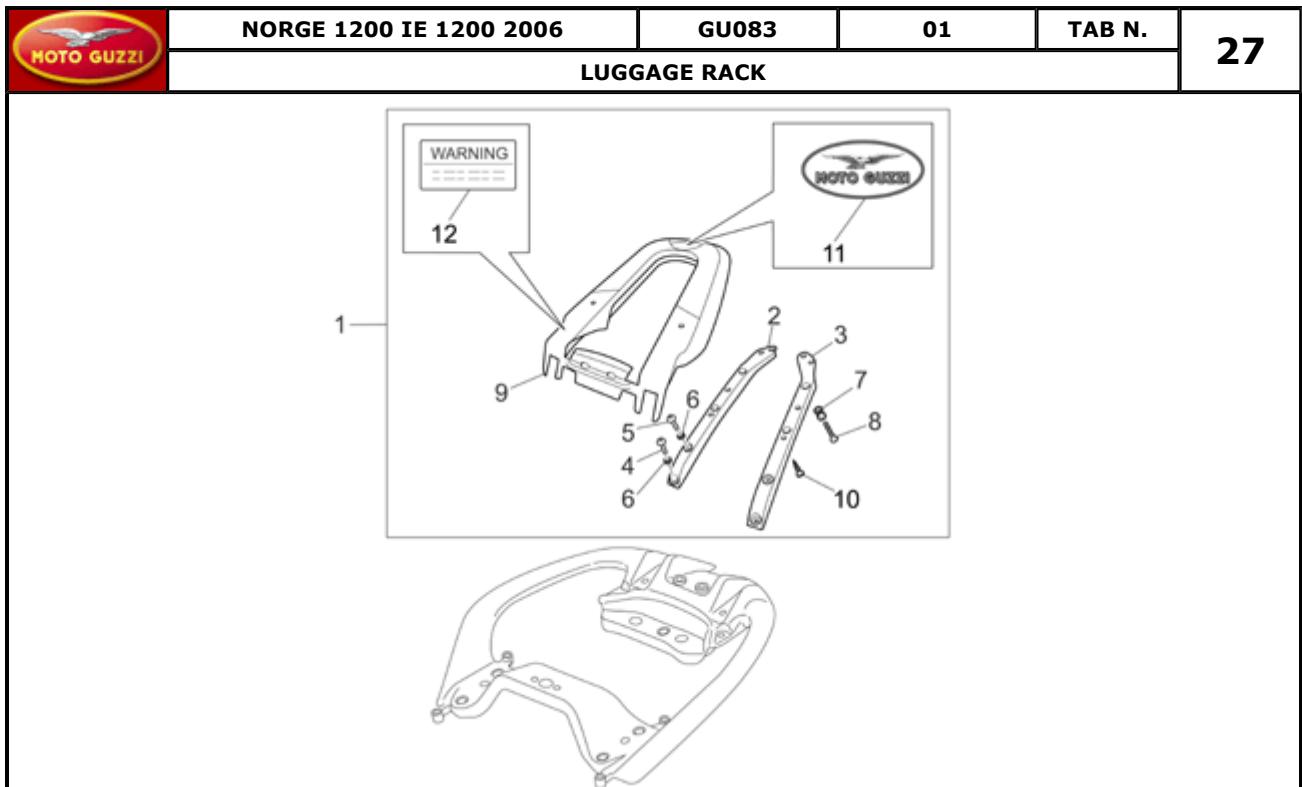
Pos.	Description	Year	I_M_	Country	Version	Code	Q.ty	P.Cod.
1	Splash guard	-	-	-	-	GU05438730	1	
2	Door	-	-	-	-	GU05479630	1	
3	Support	-	-	-	-	GU05780530	1	
4	Phillips screw, SWP M5X20	-	-	-	-	AP8152329	3	
5	Screw w/ flange M5x9	-	-	-	-	AP8152339	7	
6	Clip M5	-	-	-	-	AP8102375	4	
7	Number plate holder	-	-	-	-	GU05438630	1	
8	Reflector support	-	-	-	-	AP8134448	1	
9	Hex socket screw M5x12*	-	-	-	-	AP8152267	2	
10	Rear reflector, red	-	-	-	-	AP8224164	1	
11	Self-locking nut M5*	-	-	-	-	AP8152306	1	
12	Clip M6	-	-	-	-	GU28576591	6	
13	Hex socket screw M6X14	-	-	-	-	GU98370614	6	
14	Fuel pipe 6x10	-	-	-	-	AP8144038	1	
15	Hose clamp D10,1*	-	-	-	-	AP8101595	1	
16	Cable-guide D8	-	-	-	-	AP8201808	2	
17	Rear reflector support	-	-	USA	-	AP8258253	1	
18	Rear reflector, red	-	-	USA	-	AP8224164	2	
19	Self-locking nut M5*	-	-	USA	-	AP8152306	2	
20	Number plate holder	-	-	USA	-	AP8149034	1	
21	Screw w/ flange M6X16	-	-	USA	-	GU98210616	2	
22	Self-locking nut M6*	-	-	USA	-	AP8152299	2	




Pos.	Description	Year	I_M_	Country	Version	Code	Q.ty	P.Cod.
1	RH rear fairing, grey	-	-	-	-	e/gr GU05573230F2	1	
	RH rear fairing, black	-	-	-	-	g/bl GU05573230ND	1	
	RH rear fairing, red	-	-	-	-	r/re GU05573230Y01	1	
	RH rear fairing, blank	-	-	-	-	GU05573230	1	
2	LH rear fairing, blank	-	-	-	-	GU05573330	1	
	LH rear fairing, grey	-	-	-	-	e/gr GU05573330F2	1	
	LH rear fairing, black	-	-	-	-	g/bl GU05573330ND	1	
	RH rear fairing, red	-	-	-	-	r/re GU05573330Y01	1	
3	Screw w/ flange M5x9	-	-	-	-	AP8152339	10	
4	Clip M5	-	-	-	-	AP8102375	10	
5	Hex socket screw M5x15	-	-	-	-	GU98682215	2	
6	Screw w/ flange M5x12	-	-	-	-	AP8152302	2	
7	Hook	-	-	-	-	GU05467330	4	
8	Screw w/ flange M8x50*	-	-	-	-	AP8152292	4	
9	Washer 8,4x15	-	-	-	-	GU03270300	4	
10	Spacer 9x18x24	-	-	-	-	GU91120924	4	
11	Handle	-	-	-	-	977785	1	
12	Hex socket screw M8x25	-	-	-	-	GU98682425	5	
13	Cover	-	-	-	-	GU05464830	1	
14	Hex socket screw M8x12	-	-	-	-	AP8152055	2	
15	T bush 8,2x12x4	-	-	-	-	AP8121096	2	
16	Rubber spacer	-	-	-	-	AP8120455	2	
17	Guard decal	-	-	-	-	GU32944210	1	

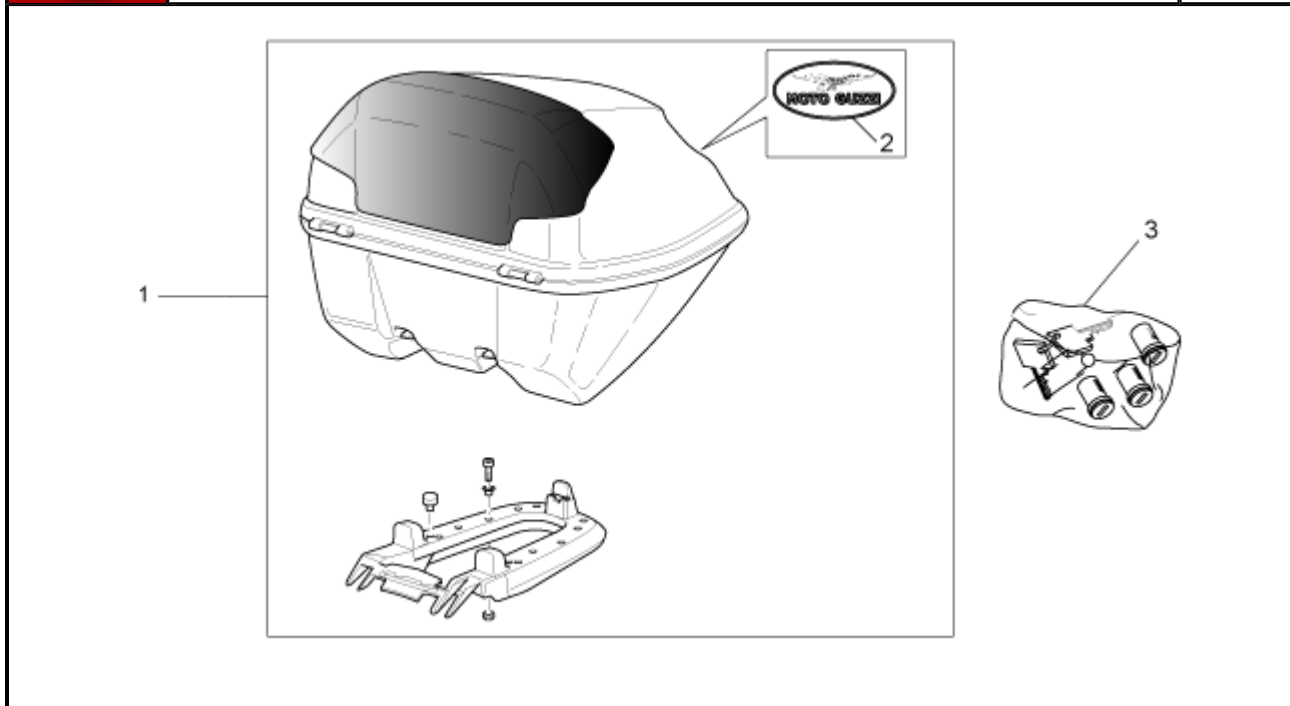


Pos.	Description	Year	I_M	Country	Version	Code	Q.ty	P.Cod.
1	Saddlebags kit, black 36L	-	-	-	GT-GTL g/bl	977706ND	1	
	Saddlebags kit, red 36L	-	-	-	GT-GTL r/re	977706Y01	1	
	Suitcase kit 36 L	-	-	-	GT-GTL e/gr	977706F2	1	
2	RH suitcase 36 L	-	-	-	GT-GTL e/gr	977201F2	1	
	RH case, black 36L	-	-	-	GT-GTL g/bl	977201ND	1	
	RH case, red 36L	-	-	-	GT-GTL r/re	977201Y01	1	
3	LH suitcase 36 L	-	-	-	GT-GTL e/gr	977202F2	1	
	LH case, black 36L	-	-	-	GT-GTL g/bl	977202ND	1	
	LH case, red 36L	-	-	-	GT-GTL r/re	977202Y01	1	
4	"Moto Guzzi" dataplate	-	-	-	GT-GTL -	977303	1	
5	Aluminium plate	-	-	-	GT-GTL -	977218	1	
6	RH support	-	-	-	GT-GTL -	GU05485030	1	
7	Rubber spacer *	-	-	-	GT-GTL -	AP8144629	6	
8	LH support	-	-	-	GT-GTL -	GU05486530	1	
9	Side case connect.crosspiece	-	-	-	GT-GTL -	977735	1	
10	Serpress nut M6*	-	-	-	GT-GTL -	AP8150333	2	
11	Saddle rubber	-	-	-	GT-GTL -	AP8706329	2	
12	RH connecting *	-	-	-	GT-GTL -	GU05485130	1	
13	Screw w/ flange M6x16*	-	-	-	GT-GTL -	AP8152278	2	
14	Spring washer 6,4x11x0,5*	-	-	-	GT-GTL -	AP8150429	2	
15	Washer 6,6x18x1,6*	-	-	-	GT-GTL -	AP8150015	2	
16	Shear rivet M6x17	-	-	-	GT-GTL -	AP8152140	2	
17	LH connecting	-	-	-	GT-GTL -	GU05486630	1	
18	Reflector	-	-	USA	GT-GTL -	AP8706314	2	
19	Rotor kit with key	-	-	-	GTL -	978220	1	


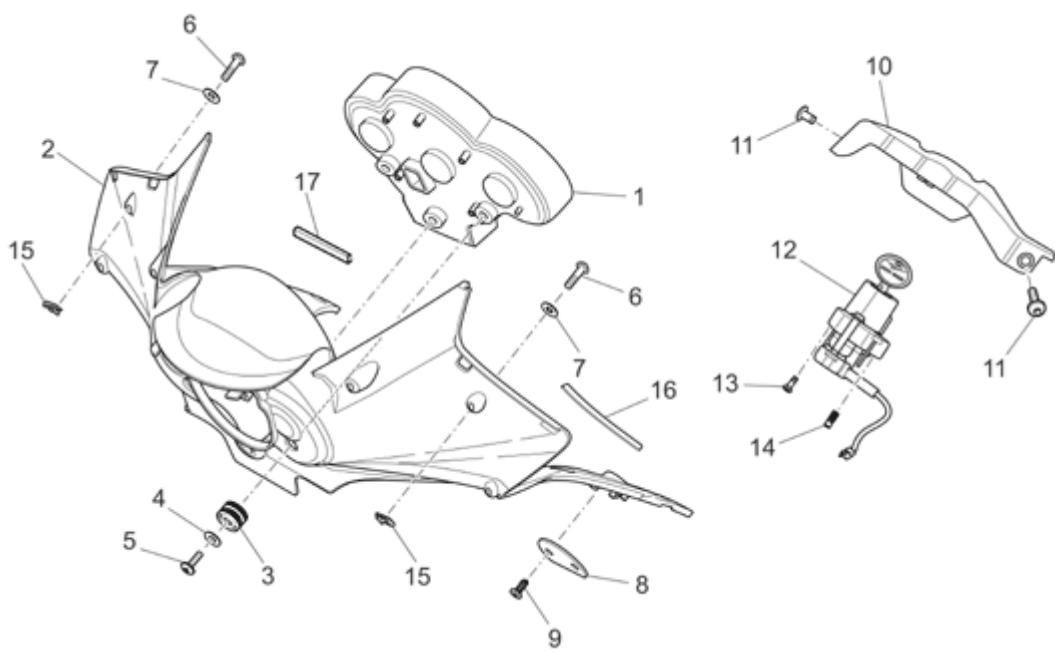


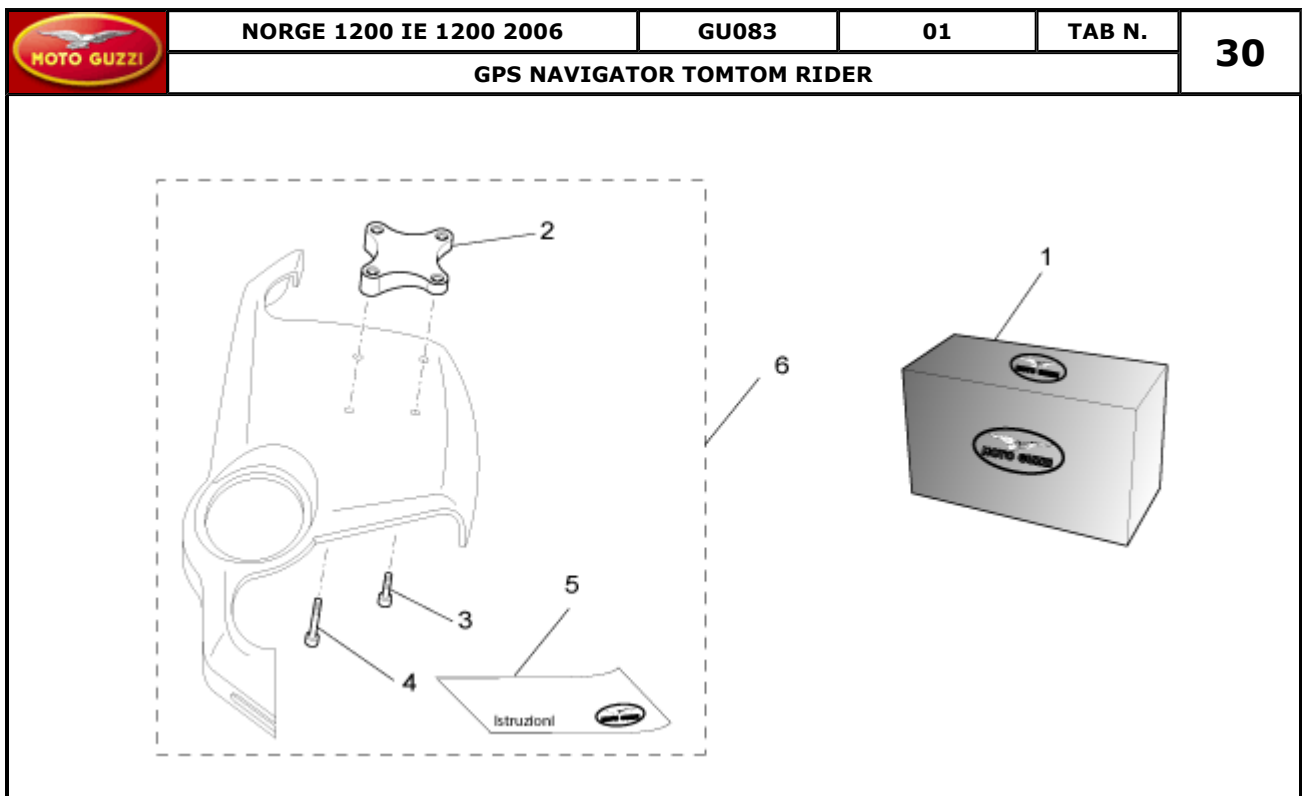
Pos.	Description	Year	I_M	Country	Version	Code	Q.ty	P.Cod.
1	Luggage rack kit	-	-	-	GTL	-	GU05677230	1
2	RH lugg.rack support	-	-	-	GTL	-	GU05466630	1
3	LH lugg.rack support	-	-	-	GTL	-	GU05466631	1
4	Hex socket screw M8x20	-	-	-	GTL	-	GU98230820	2
5	Hex socket screw M8x30	-	-	-	GTL	-	GU98350430	2
6	Washer 8,4x13*	-	-	-	GTL	-	AP8152154	4
7	Rear stand bush	-	-	-	GTL	-	AP8121890	2
8	Screw M6x35	-	-	-	GTL	-	GU98250635	2
9	Luggage rack cover	-	-	-	GTL	-	GU05468230	1
10	Self-tap screw 5x14	-	-	-	GTL	-	AP8150509	4
11	"Moto Guzzi" dataplate	-	-	-	GTL	-	977303	1
12	Name plate WARNING	-	-	-	GTL	-	AP8157631	1

	NORGE 1200 IE 1200 2006	GU083	01	TAB N.	28
	TOP BOX				

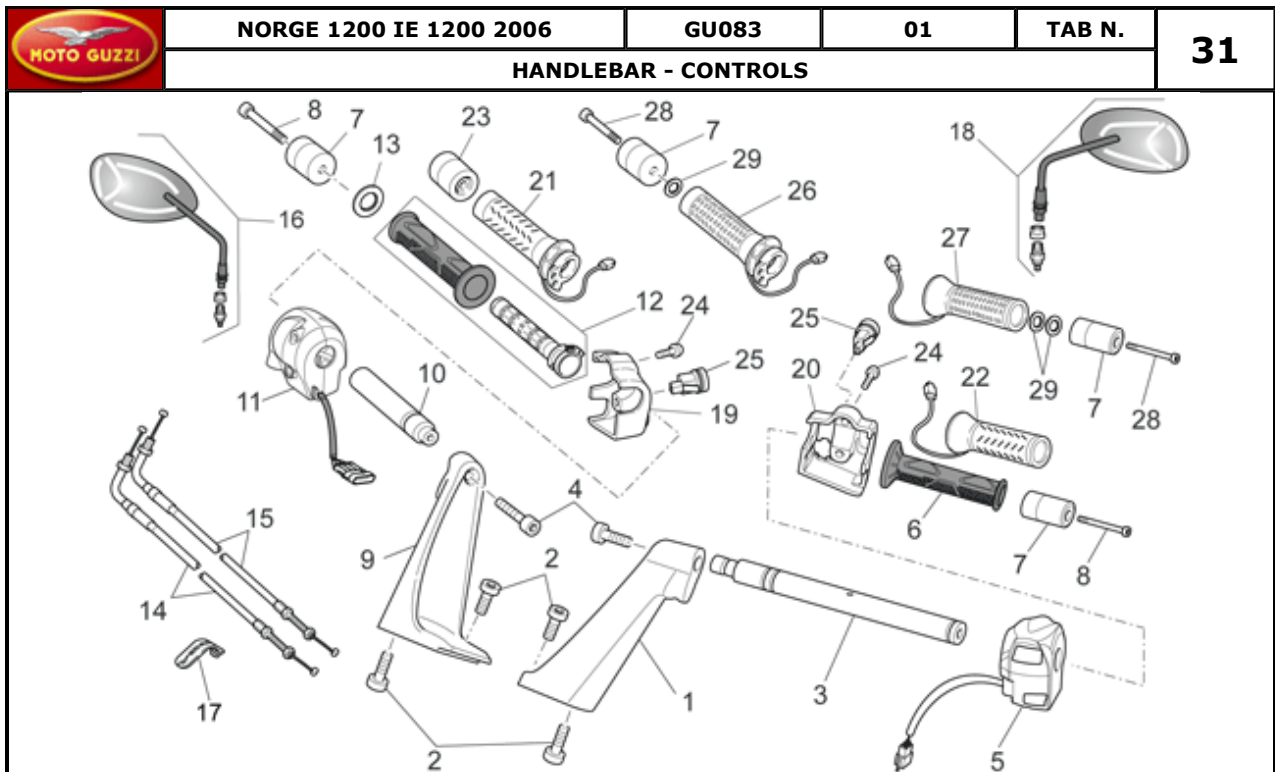


Pos.	Description	Year	I_M	Country	Version	Code	Q.ty	P.Cod.
1	Top box kit rosso 45L	-	-	-	GTL -	977705Y01	1	
	Top box kit nero 45L	-	-	-	GTL -	977705ND	1	
	Top box kit 45L	-	-	-	GTL -	977705F2	1	
2	Moto Guzzi RH decal	-	-	-	GTL -	GU03482070	1	
3	Rotor kit with key	-	-	-	GTL -	978220	1	

		NORGE 1200 IE 1200 2006		GU083	01	TAB N.	29	
DASHBOARD								
								
Pos.	Description	Year	I_M	Country	Version	Code	Q.ty	P.Cod.
1	Dashboard complete	-	-	UK-USA	-	977524	1	
	Dashboard complete	-	-	AUS-EU-J	-	977523	1	
2	Dashboard panel	-	-	-	GT-T	977101	1	
	Dashboard panel	-	-	-	GTL-TL	977853	1	
3	Rubber spacer *	-	-	-	-	AP8220150	3	
4	Washer 5x20x1,5	-	-	-	-	AP8150255	3	
5	Self-tap screw 5x14	-	-	-	-	AP8150509	3	
6	Hex socket screw M4x16	-	-	-	-	AP8150493	8	
7	Nylon washer	-	-	-	-	AP8144565	8	
8	Fixing plate	-	-	-	-	977150	1	
9	Self-tap screw 2,9x12	-	-	-	-	AP8150421	2	
10	Handlebar cover, grey	-	-	-	-	977670F2	1	
11	Screw w/ flange M5x9	-	-	-	-	AP8152339	2	
12	Main switch - steering lock	-	-	-	-	GU05782530	1	
13	Hex socket screw M8x30	-	-	-	-	GU98682430	1	
14	Shear rivet M8x28	-	-	-	-	AP8152238	1	
15	Clip M4	-	-	-	-	AP8102381	6	
16	Gasket	-	-	-	-	977668	1	
17	Vibration-damping rubber	-	-	-	-	GU01573960	1	

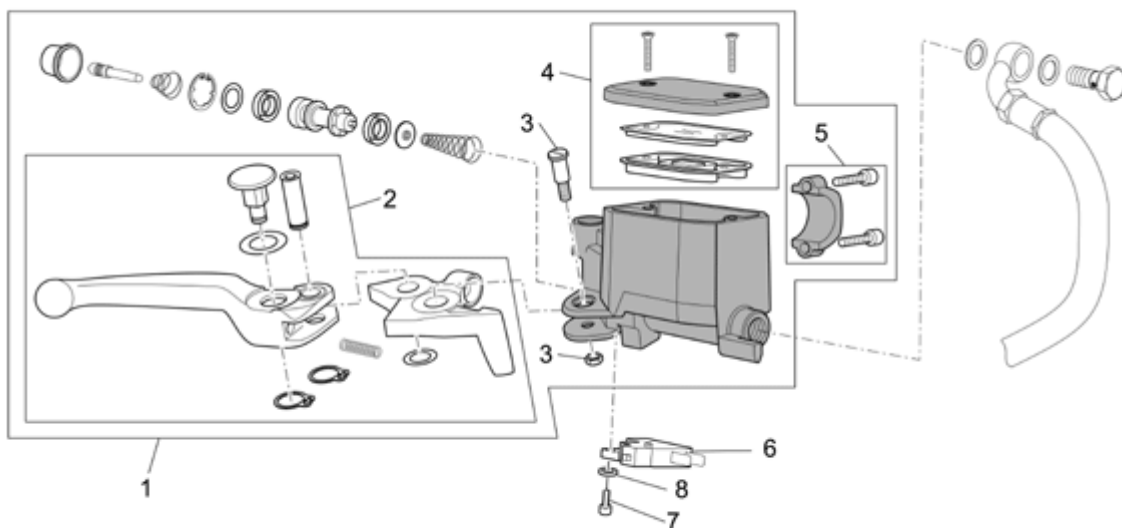


Pos.	Description	Year	I_M_	Country	Version	Code	Q.ty	P.Cod.
1	GPS Navigator TomTom Rider	-	-	AUS	GTL	-	977570	1
	GPS Navigator TomTom Rider	-	-	USA	GTL	-	977569	1
	GPS Navigator TomTom Rider	-	-	EU	GTL	-	977568	1
2	Support	-	-	-	GTL	-	977132	1
3	Screw M3x16	-	-	-	GTL	-	977919	2
4	Screw M3x20	-	-	-	GTL	-	977920	2
5	Instructions sheet	-	-	-	GTL	-	000000000	1
6	Support kit	-	-	-	GTL	-	977708	1




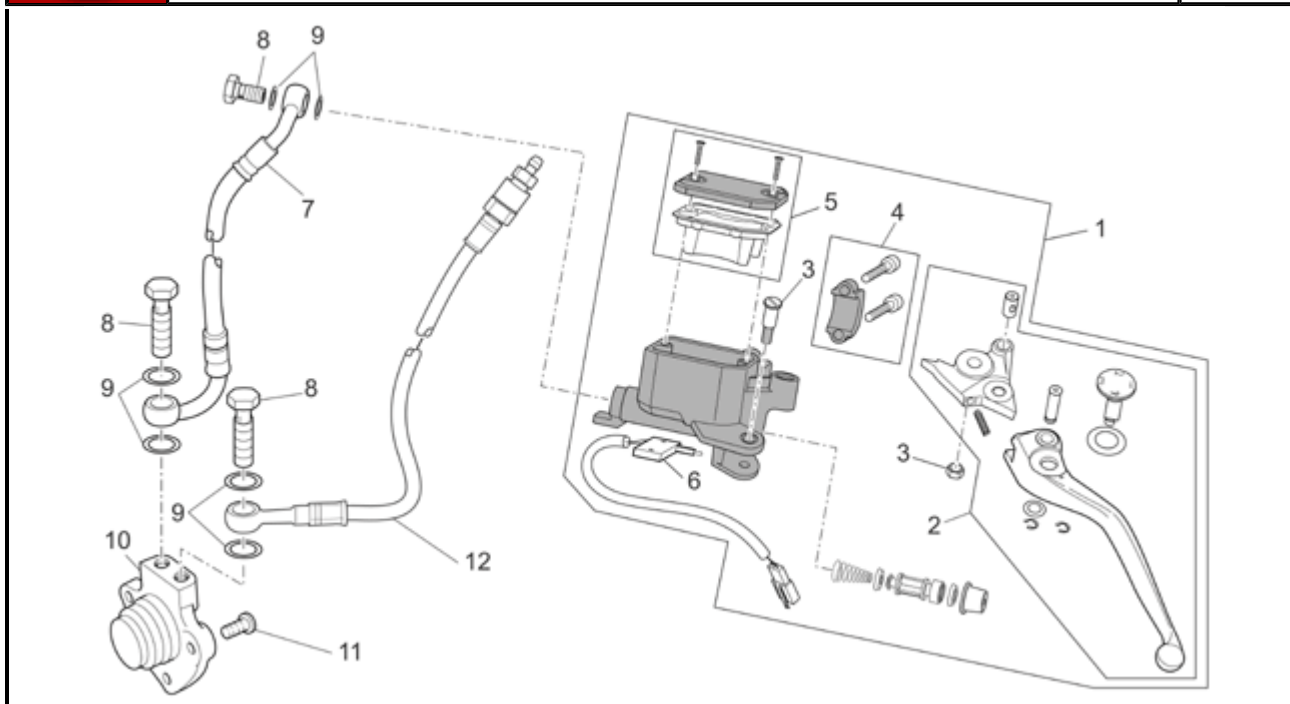
Pos.	Description	Year	I_M	Country	Version	Code	Q.ty	P.Cod.
1	Left half handlebar	-	-	-	-	977784	1	
2	Hex socket screw M8x25	-	-	-	-	GU98692425	6	
3	LH handlebar tube	-	-	-	-	GU05600930	1	
4	Hex socket screw M8x30	-	-	-	-	GU98692430	2	
5	LH lights selector	-	-	-	-	977522	1	
6	LH hand grip	-	-	-	-	AP8118579	1	
7	Anti.v weight, black	-	-	-	-	AP8104572	2	
8	Hex socket screw M6x60	-	-	-	-	GU98680360	2	
9	Right half handlebar	-	-	-	-	977783	1	
10	RH handlebar tube	-	-	-	-	GU05600230	1	
11	RH lights selector	-	-	-	-	AP8127648	1	
	RH lights selector	-	-	-	YL	977780	1	
12	RH hand grip	-	-	-	-	GU01603480	1	
13	Nylon washer	-	-	-	-	977679	1	
14	Gas fastener	-	-	-	-	977677	1	
15	Gas fastener	-	-	-	T-TL	977678	1	
	Gas fastener	-	-	-	GT-GTL	978136	1	
16	RH rearview mirror	-	-	-	-	GU32769460	1	
17	Hose clamp L46 mm	-	-	-	-	GU01609630	2	
	Hose clamp L36 mm	-	-	-	-	GU03609600	4	
18	LH rearview mirror	-	-	-	-	GU32769860	1	
19	RH U-bolt	-	-	-	GTL-TL	977628	1	
	RH U-bolt	-	-	-	GT-T	977630	1	
20	LH U-bolt	-	-	-	GT-T	977631	1	
	LH U-bolt	-	-	-	GTL-TL	977629	1	
21	R.H. heated grip	-	-	-	1A-GT-GTL	977768	1	
22	L.H. heated grip	-	-	-	1A-GT-GTL	977767	1	
23	Anti.v weight, black	-	-	-	1A-GT-GTL	977739	1	
24	Screw M6x25	-	-	-	-	GU98612325	2	
25	Button	-	-	-	GTL-TL	977740	2	
26	R.H. heated grip	-	-	-	2A-GT-GTL	977906	1	
27	L.H. heated grip	-	-	-	2A-GT-GTL	AP8706527	1	
28	Screw M6x70	-	-	-	2A-GT-GTL	GU98680370	2	
29	Spacer 6x21x4	-	-	-	2A-GT-GTL	GU05604630	3	

	NORGE 1200 IE 1200 2006	GU083	01	TAB N.	32
	FRONT MASTER CILINDER				




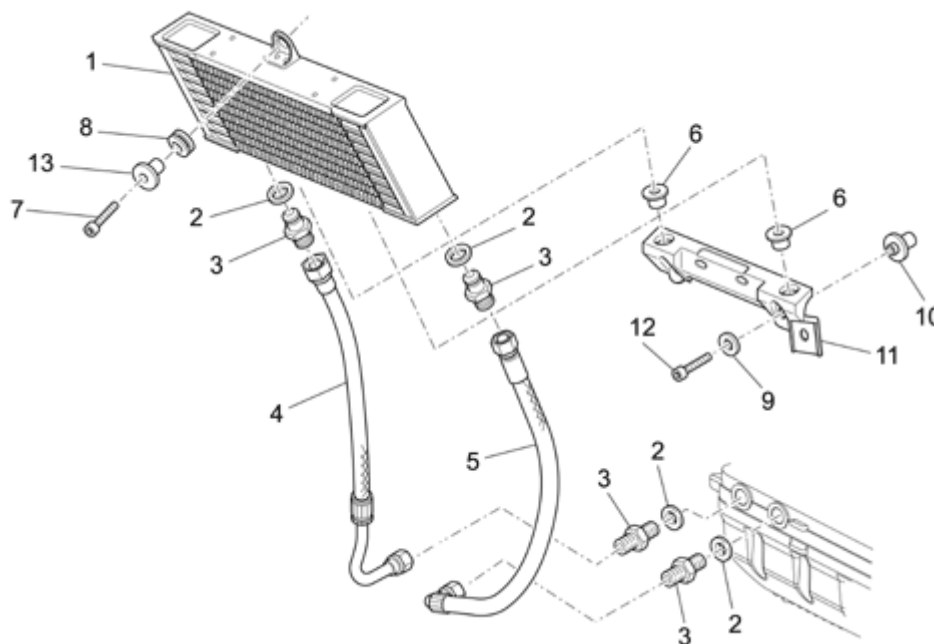
Pos.	Description	Year	I_M	Country	Version	Code	Q.ty	P.Cod.
1	Front master cilinder	-	-	-	-	GU05660130	1	
2	Front brake lever	-	-	-	-	AP8133510	1	
3	Lever pin	-	-	-	-	AP8113995	1	
4	Tank cap	-	-	-	-	GU05661130	1	
5	U-bolt	-	-	-	-	AP8113993	1	
6	Brake light switch	-	-	-	-	GU03749845	1	
7	Hex socket screw M4x12	-	-	-	-	GU98370412	1	
8	Washer 4,3x8x1,5	-	-	-	-	GU95021104	1	

	NORGE 1200 IE 1200 2006	GU083	01	TAB N.	33
	CLUTCH CONTROL COMPLETE				



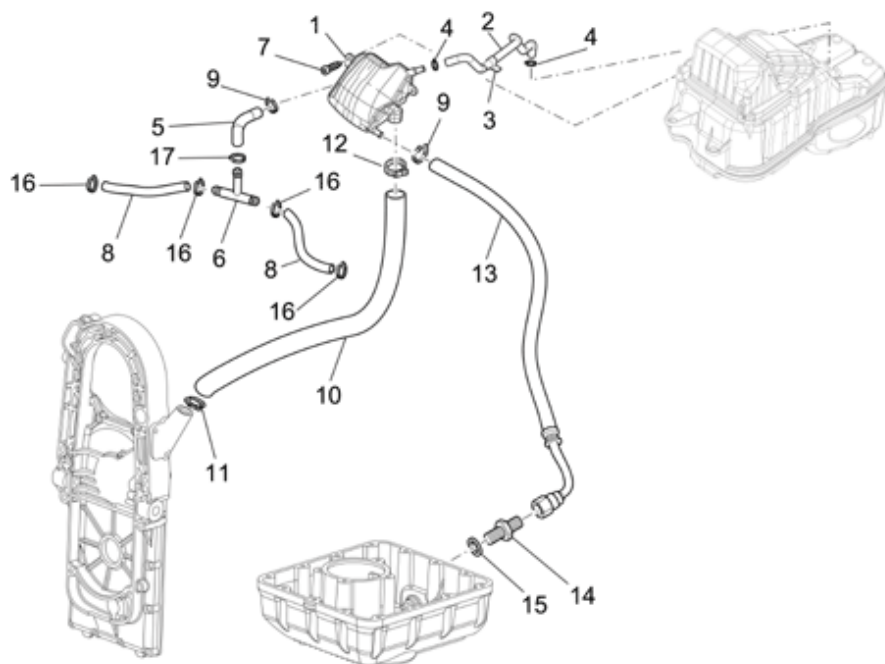
Pos.	Description	Year	I_M_	Country	Version	Code	Q.ty	P.Cod.
1	Clutch pump	-	-	-	-	AP8106713	1	
2	Clutch lever	-	-	-	-	AP8118659	1	
3	Lever pin	-	-	-	-	GU03604845	1	
4	U-bolt	-	-	-	-	AP8113993	1	
5	Tank cap	-	-	-	-	AP8113997	1	
6	Microswitch	-	-	-	-	AP8113998	1	
7	Clutch pipe	-	-	-	-	GU05606530	1	
8	Oil pipe screw	-	-	-	-	AP8133594	3	
9	Gasket	-	-	-	-	AP8121915	6	
10	Clutch command cylinder	-	-	-	-	GU05086330	1	
11	Screw w/ flange M6x16*	-	-	-	-	AP8152278	3	
12	Float chambe clutch pipe	-	-	-	-	GU05606630	1	

	NORGE 1200 IE 1200 2006	GU083	01	TAB N.	34
	OIL COOLER				

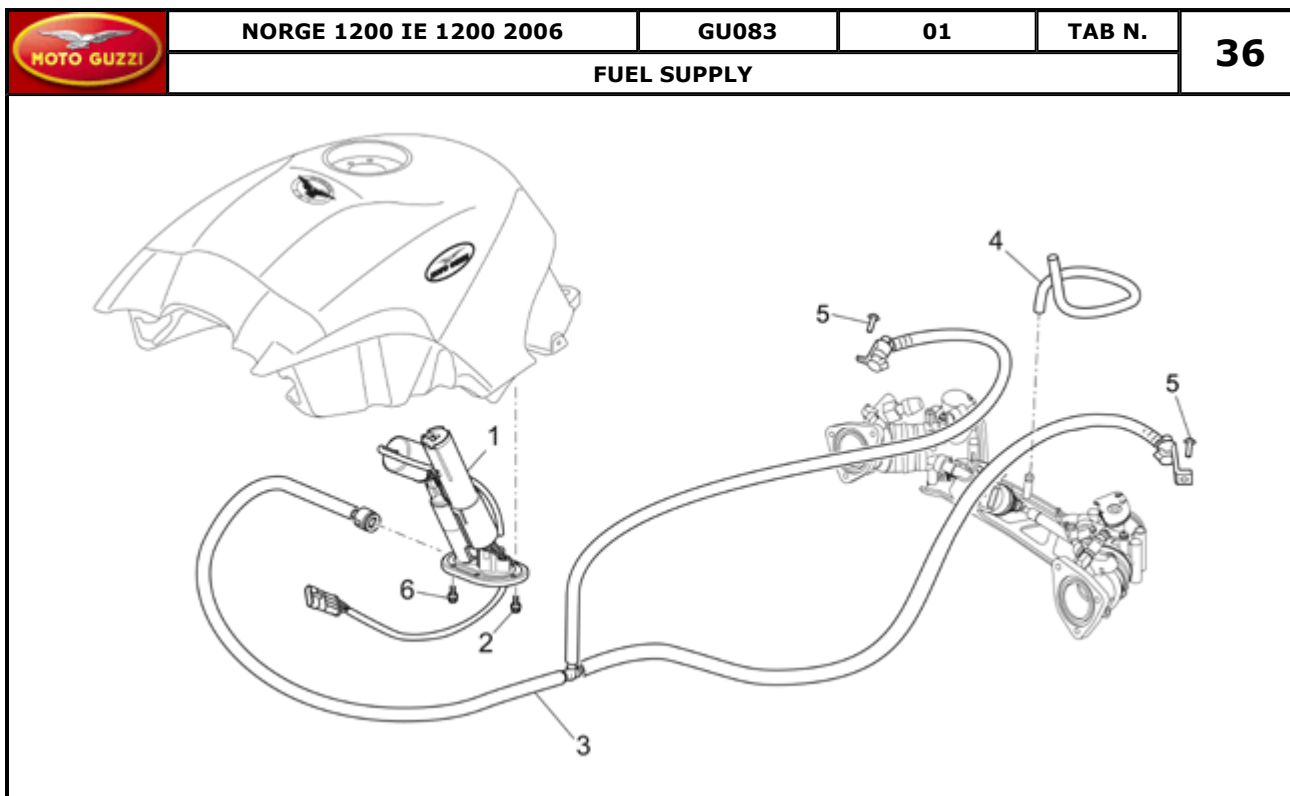


Pos.	Description	Year	I_M	Country	Version	Code	Q.ty	P.Cod.
1	Oil cooler cpl.	-	-	-	-	GU05162031	1	
2	Gasket	-	-	-	-	GU01154230	4	
3	Reduction	-	-	-	-	GU01161331	4	
4	RH pipe	-	-	-	-	GU05162331	1	
5	LH pipe	-	-	-	-	GU05161631	1	
6	Silent-block	-	-	-	-	AP8101372	2	
7	Hex socket screw M6x25	-	-	-	-	GU98682325	1	
8	Rubber spacer	-	-	-	-	GU91551010	1	
9	Washer 6,4x13x1,5	-	-	-	-	GU95005306	2	
10	Bush 6,2x11x22,5	-	-	-	-	GU91120622	2	
11	Clamp	-	-	-	-	GU05164230	1	
12	Hex socket screw M6X40	-	-	-	-	GU98680340	2	
13	T bush *	-	-	-	-	AP8221023	1	

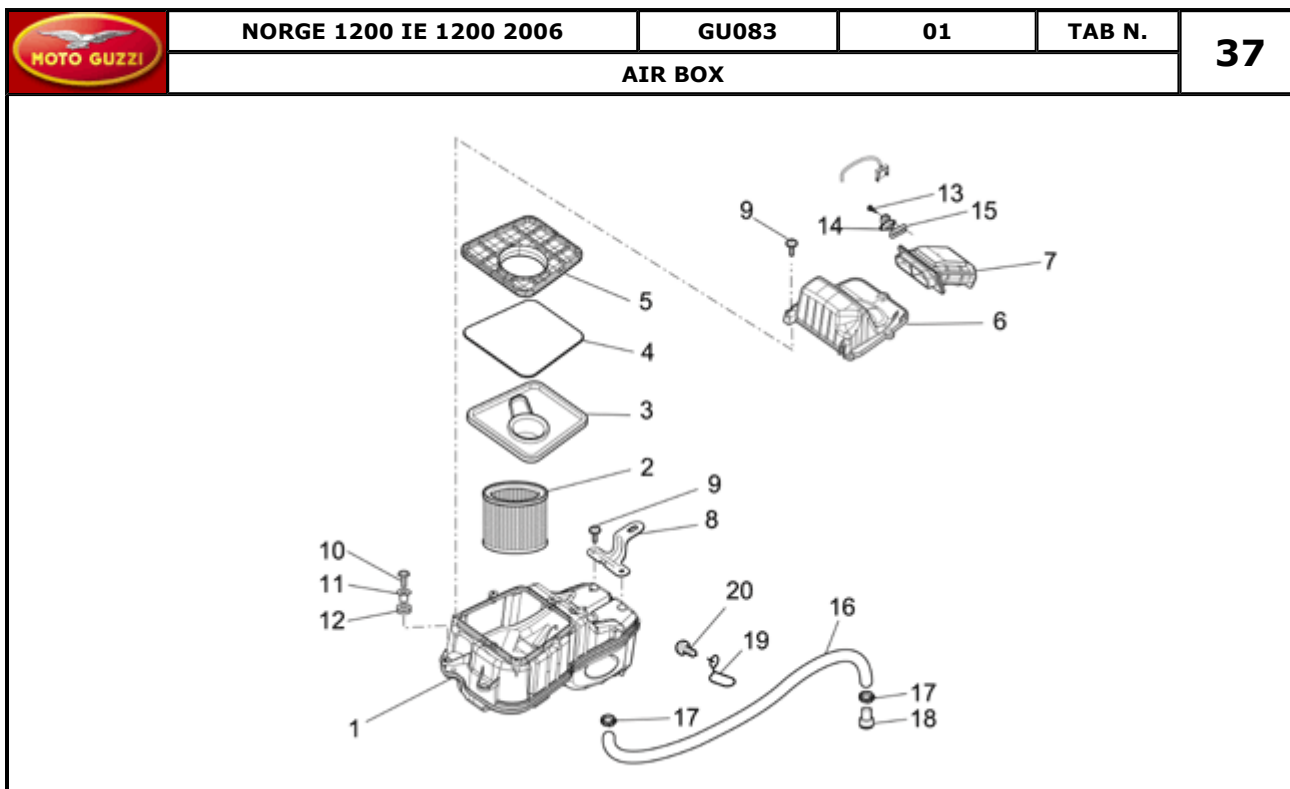
	NORGE 1200 IE 1200 2006	GU083	01	TAB N.	35
	BLOW-BY SYSTEM				



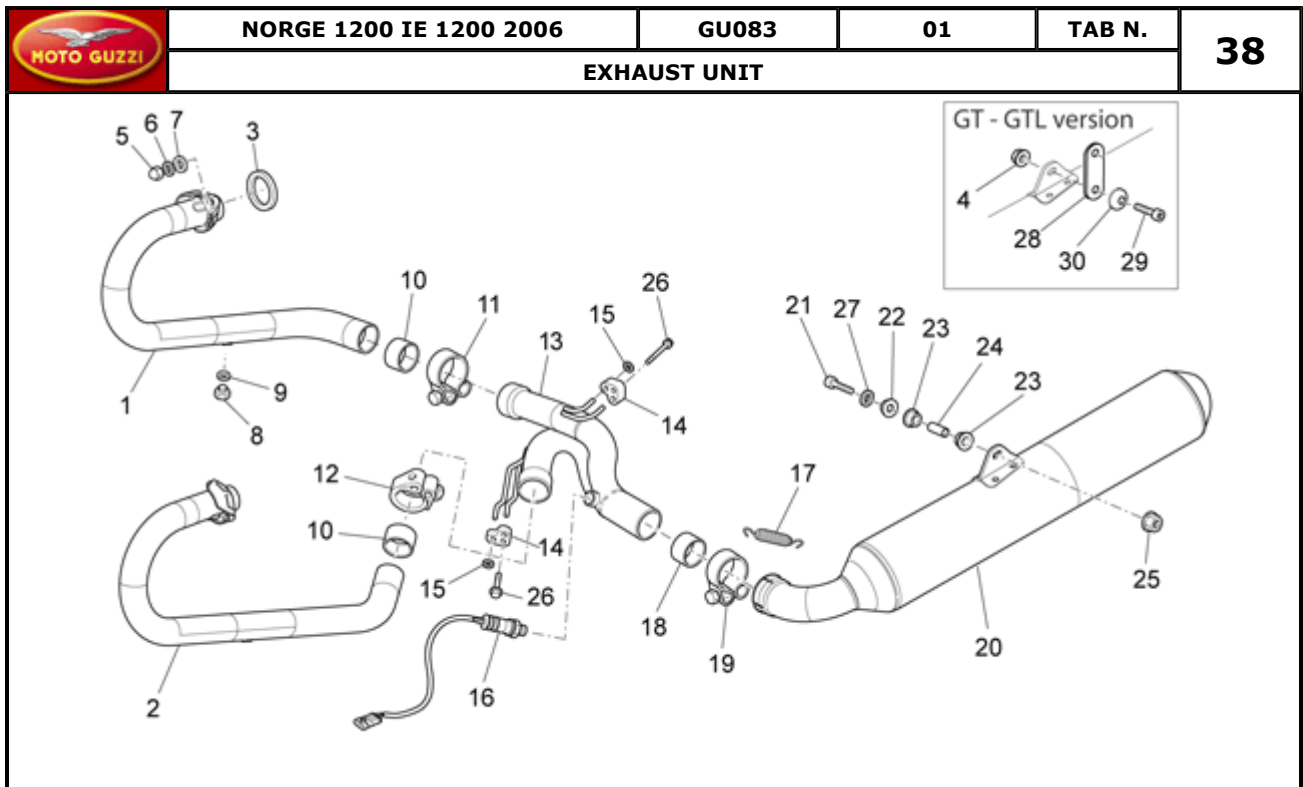
Pos.	Description	Year	I_M_	Country	Version	Code	Q.ty	P.Cod.
1	Housing	-	-	-	-	GU05153430	1	
2	Breather pipe	-	-	-	-	GU05157430	1	
3	Black hose D12*	-	-	-	-	AP8102151	1	
4	Hose clamp	-	-	-	-	AP8102520	2	
5	Breather pipe	-	-	-	-	GU05159630	1	
6	3-way union	-	-	-	-	GU95960609	1	
7	Self-tap screw 5x14	-	-	-	-	AP8150509	2	
8	Breather pipe	-	-	-	-	GU00823955080	2	
9	Hose clip D.15,5x6,6	-	-	-	-	AP8101586	2	
10	Breather pipe	-	-	-	-	GU05157630	1	
11	Hose clip D.24,5x8,6	-	-	-	-	AP8101588	1	
12	Hose clamp 17X29X8	-	-	-	-	GU93306018	1	
13	Pipe	-	-	-	-	GU05159330	1	
14	Reduction	-	-	-	-	GU01161331	1	
15	Gasket	-	-	-	-	GU01154230	1	
16	Hose clamp D 11,9	-	-	-	-	AP8201358	4	
17	White hose clip D.13,5x6	-	-	-	-	AP8102765	1	




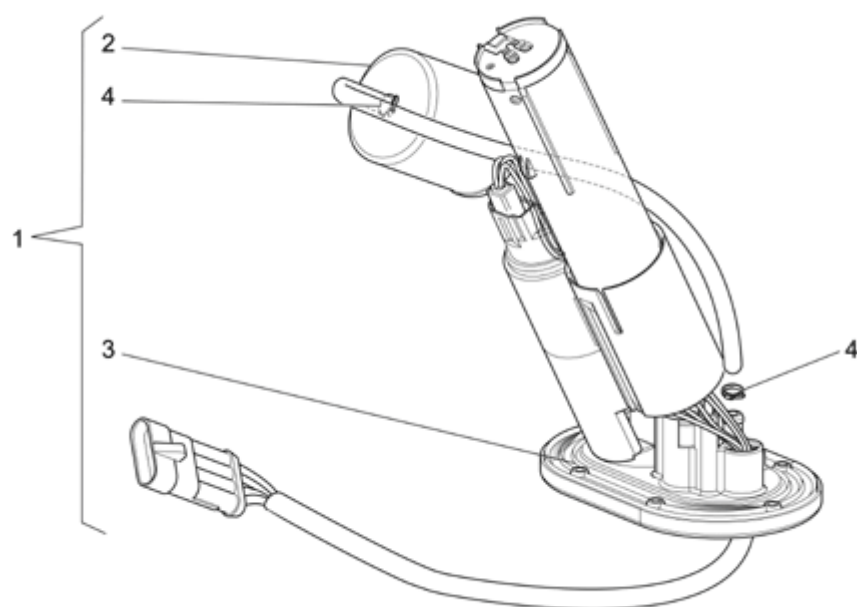
Pos.	Description	Year	I_M	Country	Version	Code	Q.ty	P.Cod.
1	Fuel pump cpl.	-	-	-	-	GU05107230	1	
2	Screw w/ flange M5x16	-	-	-	-	AP8152273	4	
3	Fuel pipe, cpl.	-	-	-	-	977149	1	
4	Pipe	-	-	-	-	GU05135930	1	
5	Screw w/ flange M5x16	-	-	-	-	AP8152298	2	
6	Screw w/ flange M5X20	-	-	-	-	AP8152274	2	

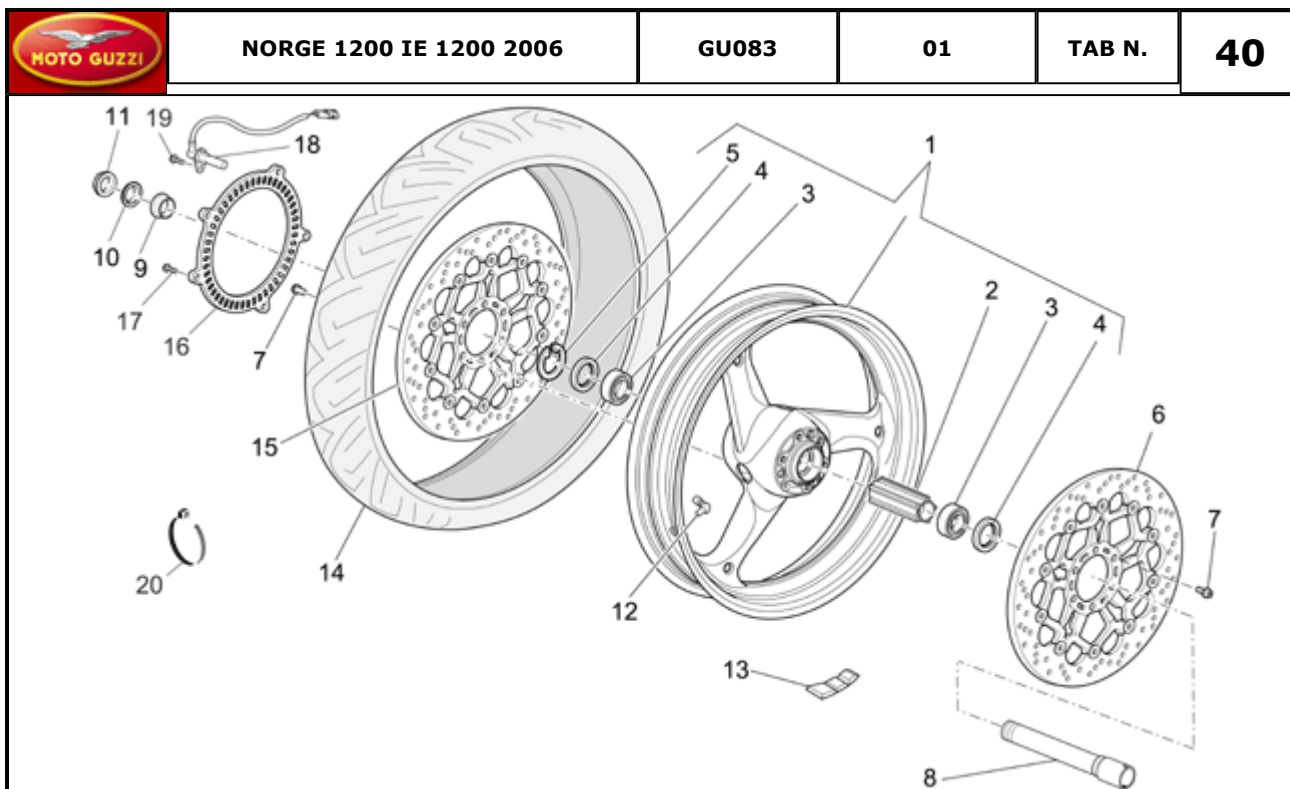


Pos.	Description	Year	I_M_	Country	Version	Code	Q.ty	P.Cod.
1	Air box	-	-	-	-	GU05114031	1	
2	Air filter	-	-	-	-	AP8104211	1	
3	Protection	-	-	-	-	GU05113730	1	
4	Gasket D3	-	-	-	-	AP8120615	1	
5	Adhesive sponge	-	-	-	-	GU05103830	1	
6	Cover	-	-	-	-	GU05113530	1	
7	Intake hose	-	-	-	-	AP8144164	1	
8	Air box support	-	-	-	-	GU05114130	1	
9	Phillips screw, SWP M5X20	-	-	-	-	AP8152329	7	
10	Screw w/ flange M6x20	-	-	-	-	AP8152279	2	
11	T bush *	-	-	-	-	AP8221023	2	
12	Rubber spacer *	-	-	-	-	AP8120030	2	
13	Self-tap screw 2,9x12	-	-	-	-	AP8150421	2	
14	Air temp. Sensor	-	-	-	-	GU30729330	1	
15	Gasket	-	-	-	-	GU30027931	1	
16	Fuel pipe 6x10	-	-	-	-	AP8144038	1	
17	Hose clamp D10,1*	-	-	-	-	AP8101595	2	
18	Plug	-	-	-	-	AP8120876	1	
19	Cable-guide	-	-	-	-	AP8120428	1	
20	Screw w/ flange M6x16*	-	-	-	-	AP8152278	1	


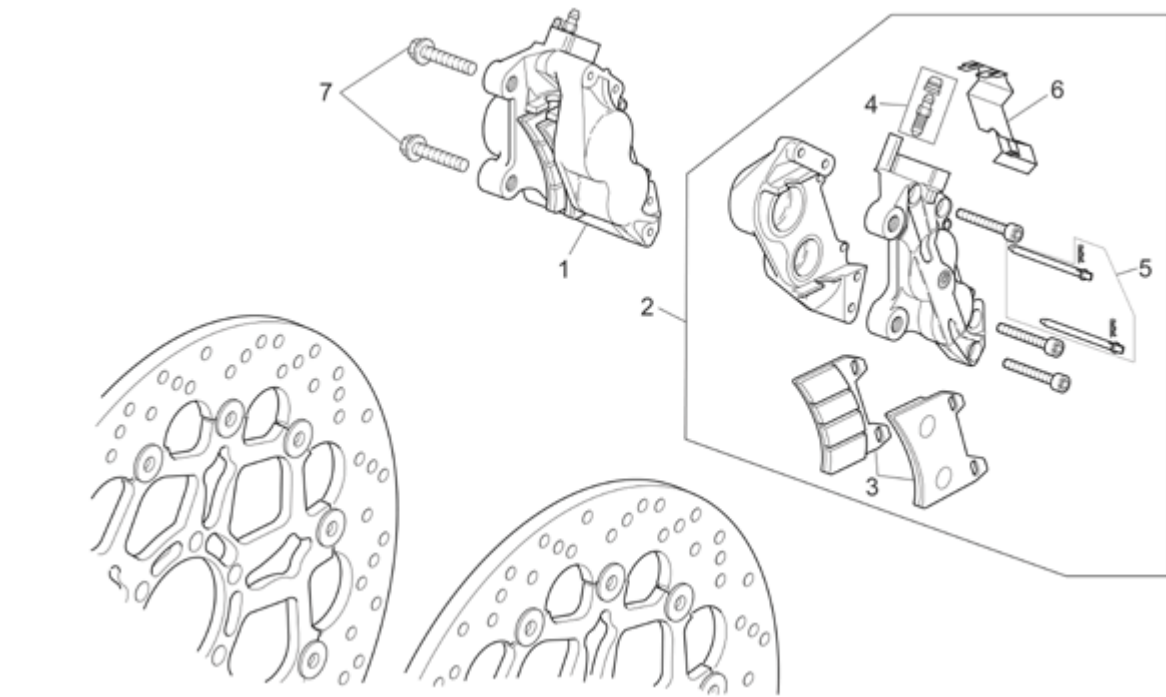



Pos.	Description	Year	I_M_	Country	Version	Code	Q.ty	P.Cod.
1	RH exhaust pipe	-	-	-	-	977662	1	
2	LH exhaust pipe	-	-	-	-	977663	1	
3	Gasket	-	-	-	-	GU90718370	2	
4	Self-locking nut M8*	-	-	-	GT-GTL	AP8152300	1	
5	Flanged nut M8	-	-	-	-	GU92660021	4	
6	Washer 8,4X13X0,8	-	-	-	-	GU14615901	4	
7	Washer 8,4x14,57x1,6	-	-	-	-	GU95005308	4	
8	Plug	-	-	-	-	GU98110007	2	
9	Gasket	-	-	-	-	GU30109330	2	
10	Gasket	-	-	-	-	GU05121630	2	
11	RH hose clamp	-	-	-	-	GU05123430	1	
12	LH hose clamp	-	-	-	-	GU05123431	1	
13	Central exhaust pipe	-	-	-	-	977664	1	
14	Rubber spacer	-	-	-	-	GU05124230	2	
15	Washer for shafts D8	-	-	-	-	GU90274008	4	
16	Lamda sensor	-	-	-	-	GU32727010	1	
17	Spring	-	-	-	-	AP8121170	1	
18	Gasket	-	-	-	-	GU05128230	1	
19	Hose clamp	-	-	-	-	GU05126930	1	
20	Silencer	-	-	-	-	977665	1	
21	Hex socket screw M8X45	-	-	-	-	GU98680445	1	
22	Silencer fixing bush	-	-	-	-	AP8134378	1	
23	Rubber exhaust	-	-	-	-	AP8144071	2	
24	Spacer	-	-	-	-	AP8121072	1	
25	Nut M8x1,25	-	-	-	-	GU92650138	1	
26	Screw	-	-	-	-	GU05124330	2	
27	Washer 8,5x24x2	-	-	-	-	GU95005312	1	
28	Plate	-	-	-	GT-GTL	977798	1	
29	Hex socket screw M8x25	-	-	-	GT-GTL	GU98682425	1	
30	Silencer fixing bush	-	-	-	GT-GTL	AP8134378	1	

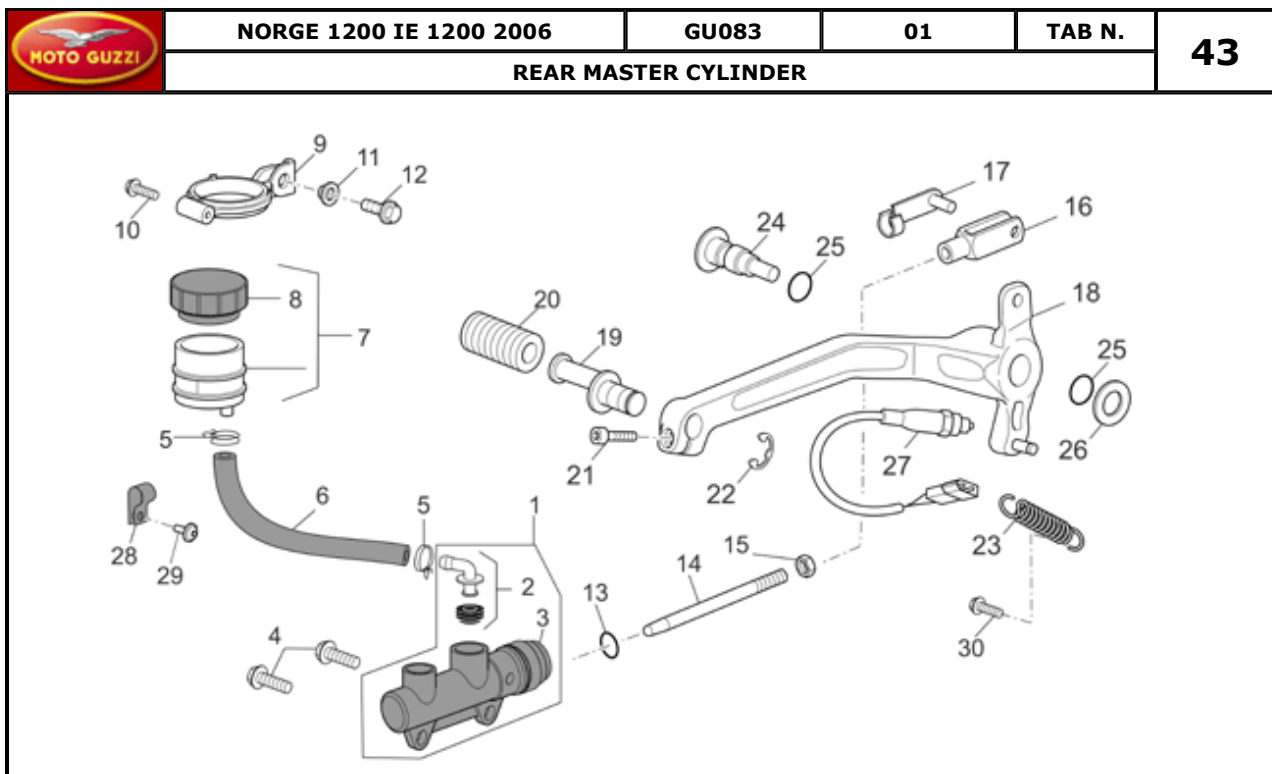
	NORGE 1200 IE 1200 2006		GU083	01	TAB N.	39		
	INTERNAL FUEL PUMP							
								
Pos.	Description	Year	I_M_	Country	Version	Code	Q.ty	P.Cod.
1	Fuel pump cpl.	-	-	-	-	GU05107230	1	
2	Fuel filter	-	-	-	-	GU01106090	1	
3	Gasket	-	-	-	-	GU05107430	1	
4	Hose clamp 11,3	-	-	-	-	GU01108490	4	



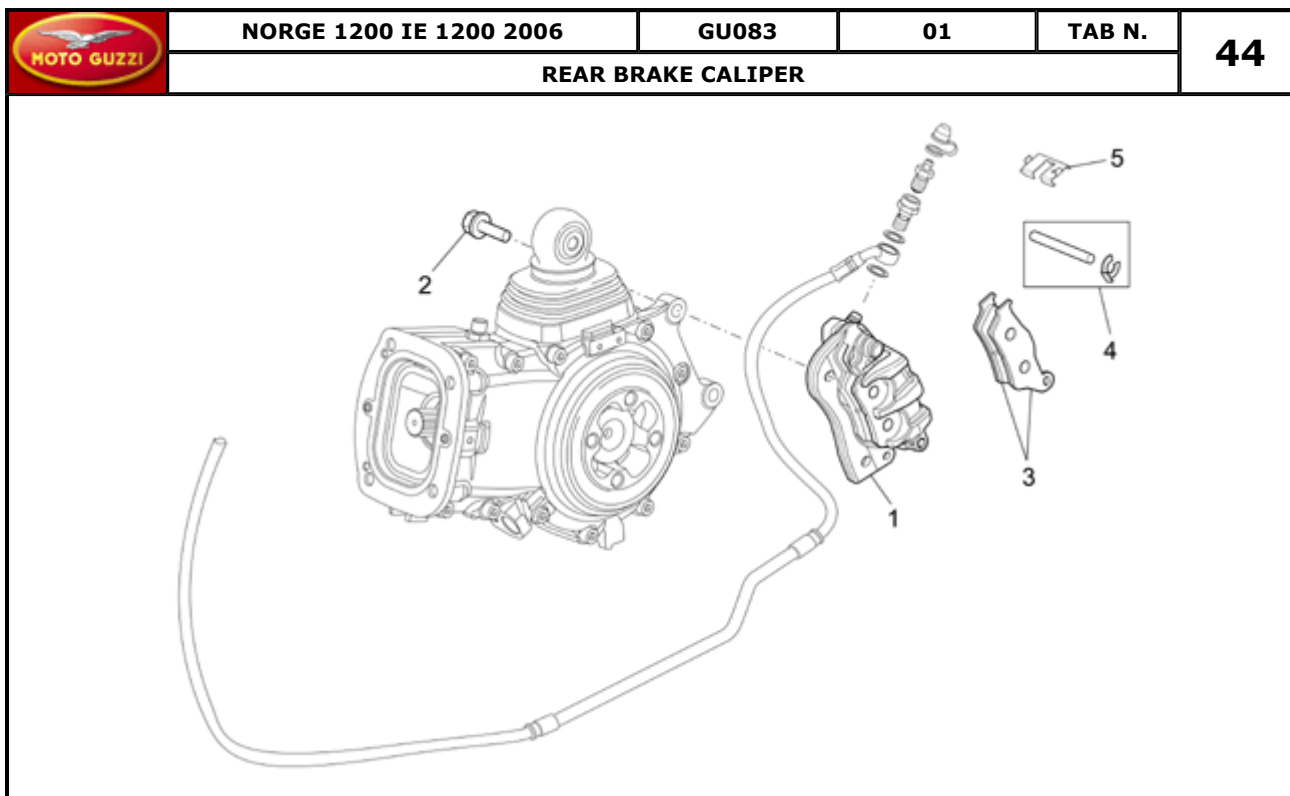
Pos.	Description	Year	I_M	Country	Version	Code	Q.ty	P.Cod.
1	Front wheel, grey 3,5x17"	-	-	-	-	977266	1	
2	Spacer	-	-	-	-	GU05615230	1	
3	Ball bearing 25x47x12	-	-	-	-	AP8125777	2	
4	Gasket ring 30x47x7	-	-	-	-	AP8125773	2	
5	Circlip	-	-	-	-	AP8125779	1	
6	Front brake disc, gold 320	-	-	-	-	GU05613330	1	
7	Screw M8x16	-	-	-	-	GU05611430	12	
8	Front wheel spindle	-	-	-	-	GU05614130	1	
9	Spacer	-	-	-	-	AP8125791	1	
10	Washer 25,2X36X1	-	-	-	-	GU95005325	1	
11	Nut	-	-	-	-	GU01612190	1	
12	Tubeless tyre valve	-	-	-	-	GU03617710	1	
13	Counterweight	-	-	-	-	GU14616150	1	
14	Body	-	-	-	-	00000000	1	
15	Front brake disc, gold 320	-	-	-	-	GU05613335	1	
16	Wheel speed sensor, left front	-	-	-	-	GU05681430	1	
17	Screw M5x10	-	-	-	-	GU98250510	5	
18	Sensor abs	-	-	-	-	AP8127469	1	
19	Screw w/ flange M6x16*	-	-	-	-	AP8152278	1	
20	Hose clamp 2,4x92	-	-	-	-	GU49609601	1	

		NORGE 1200 IE 1200 2006	GU083	01	TAB N.	41		
FRONT BRAKE CALIPER								
								
Pos.	Description	Year	I_M	Country	Version	Code	Q.ty	P.Cod.
1	RH Front brake caliper, gold	-	-	-	-	GU05652330	1	
2	LH Front brake caliper, gold	-	-	-	-	GU05652230	1	
3	Pads pair	-	-	-	-	GU01654630	2	
4	Bleeder+cap	-	-	-	-	GU05659230	2	
5	Pins+Caliper springs	-	-	-	-	GU01659130	2	
6	Spring	-	-	-	-	GU01659131	2	
7	Hex socket screw M10x1,25	-	-	-	-	AP8152385	4	

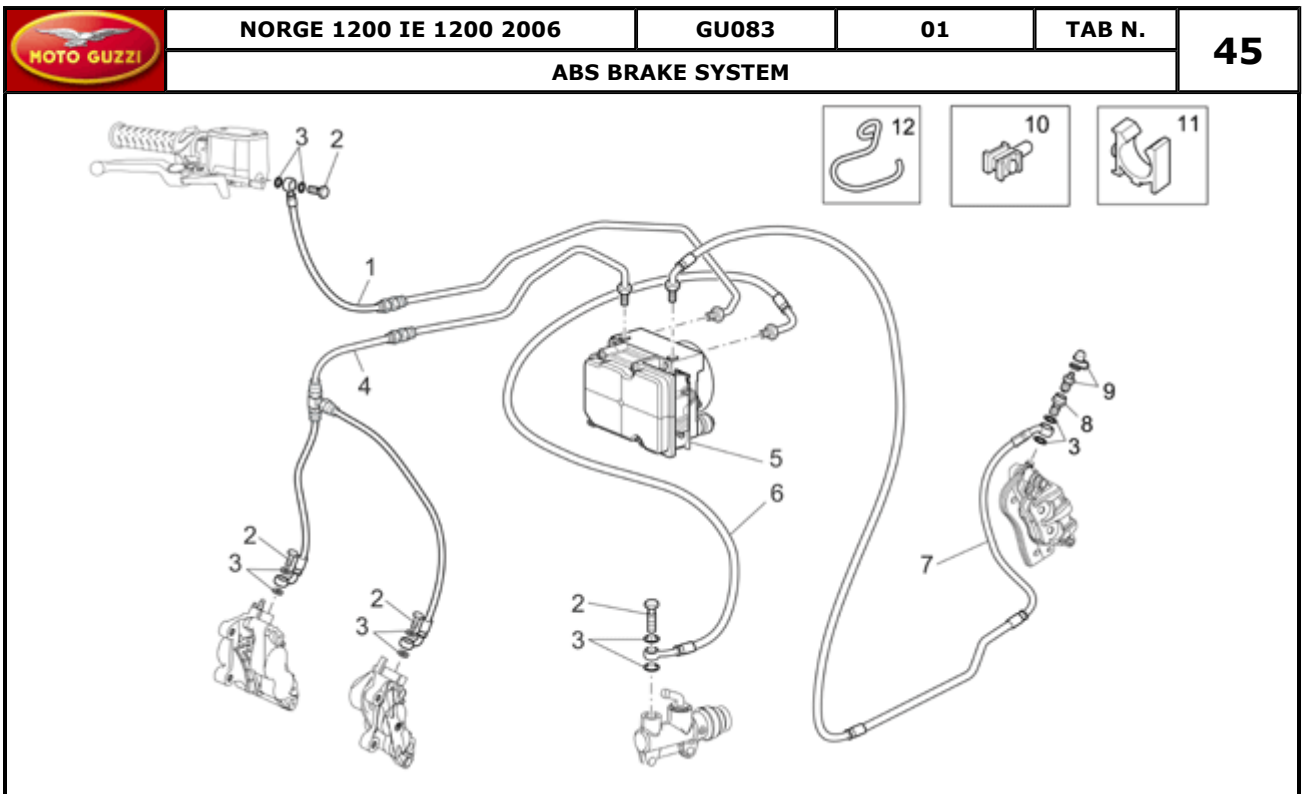
		NORGE 1200 IE 1200 2006		GU083	01	TAB N.	42		
REAR WHEEL									
Pos.	Description	Year	I_M_	Country	Version	Code	Q.ty	P.Cod.	
1	Rear wheel, grey 5,5x17"	-	-	-	-	977268	1		
2	Tubeless tyre valve	-	-	-	-	GU03617710	1		
3	Conical bush	-	-	-	-	GU05632730	4		
4	Screw w/ flange M12x65	-	-	-	-	GU97202665	4		
5	Cover	-	-	-	-	977340	1		
6	Rear brake disc	-	-	-	-	GU05635730	1		
7	Screw	-	-	-	-	GU30611460	6		
8	Body	-	-	-	-	00000000	1		
9	Counterweight	-	-	-	-	GU14616150	1		
10	Dust cover ring	-	-	-	-	977056	1		
11	Wheel speed sensor, left front	-	-	-	-	GU05681530	1		
12	Screw w/ flange M5x12	-	-	-	-	AP8152272	6		
13	Sensor	-	-	-	-	GU05683730	1		
14	Screw w/ flange M6x16*	-	-	-	-	AP8152278	1		
15	Hose clamp 2,4x92	-	-	-	-	GU49609601	1		



Pos.	Description	Year	I_M_	Country	Version	Code	Q.ty	P.Cod.
1	Rear master cylinder	-	-	-	-	GU05666930	1	
2	Rear brake pump union	-	-	-	-	AP8113594	1	
3	Rubber bellows	-	-	-	-	AP8113288	1	
4	Screw w/ flange M6x20	-	-	-	-	AP8152279	2	
5	Hose clamp D10,1*	-	-	-	-	AP8101595	2	
6	Oil pipe	-	-	-	-	GU00823950050	1	
7	Brake oil tank complete	-	-	-	-	GU05663530	1	
8	Tank cap	-	-	-	-	GU17661052	1	
9	Tank support	-	-	-	-	GU05666030	1	
10	Phillips screw, SWP M5X20	-	-	-	-	AP8152329	1	
11	T bush *	-	-	-	-	AP8221145	1	
12	Screw w/ flange M6x16*	-	-	-	-	AP8152278	1	
13	O-ring OR112	-	-	-	-	AP8120178	1	
14	Master cylinder rod	-	-	-	-	977041	1	
15	Nut M6*	-	-	-	-	GU92606206	1	
16	Fork	-	-	-	-	AP8101968	1	
17	Gear selector fork clips	-	-	-	-	AP8201301	1	
18	Rear brake lever	-	-	-	-	GU05677030	1	
19	Brake lever pin	-	-	-	-	AP8121221	1	
20	Lever rubber	-	-	-	-	AP8120912	1	
21	Hex socket screw M6x16	-	-	-	-	GU98682316	1	
22	Circlip d9	-	-	-	-	AP8150462	1	
23	Rear brake lever spring	-	-	-	-	AP8121927	1	
24	Rear brake lever pin	-	-	-	-	AP8121223	1	
25	O-ring 11,11x1,78	-	-	-	-	AP8144007	2	
26	Washer 10,5x22x2,5	-	-	-	-	GU95008310	1	
27	Brake light switch	-	-	-	-	AP8112996	1	
28	Black hose D12*	-	-	-	-	AP8102151	1	
29	Hex socket screw M5X10	-	-	-	-	GU98350210	1	
30	Screw w/ flange M5x16	-	-	-	-	AP8152273	1	



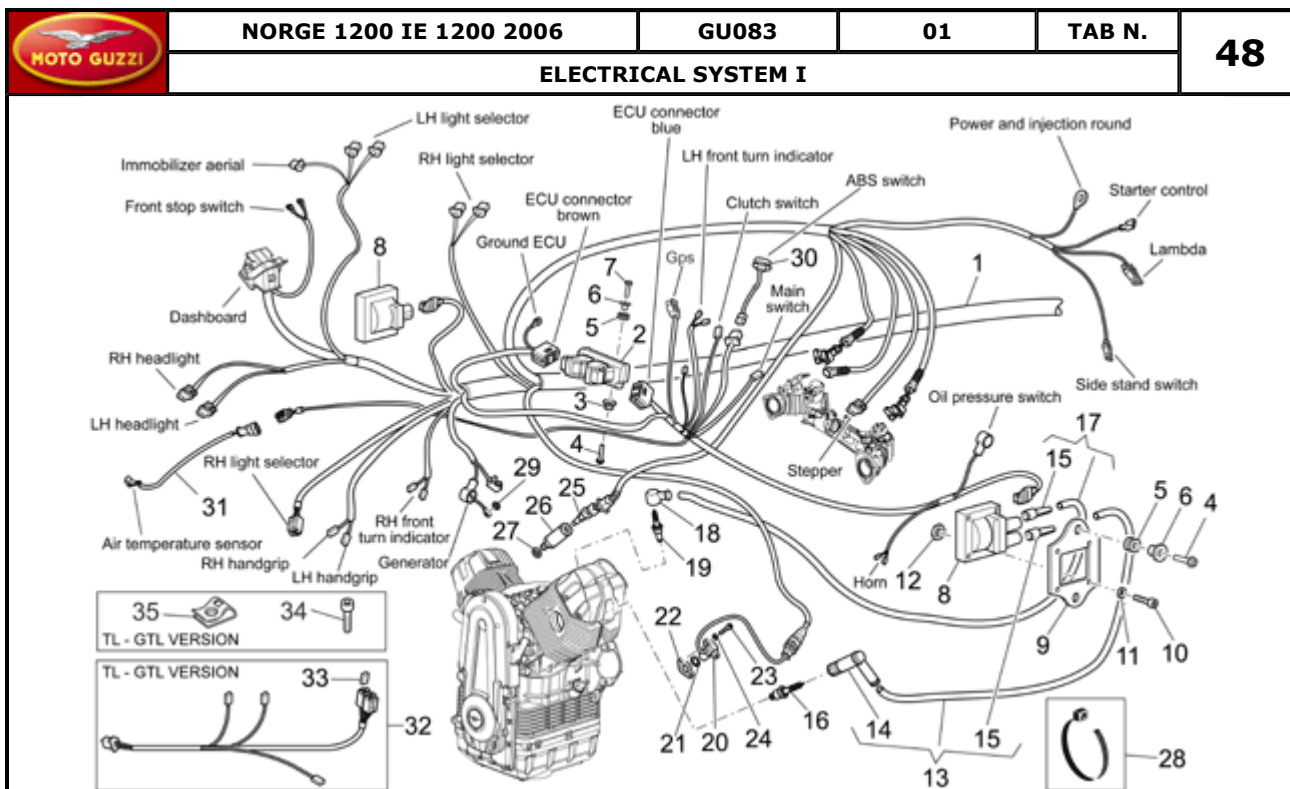
Pos.	Description	Year	I_M	Country	Version	Code	Q.ty	P.Cod.
1	Rear brake caliper, gold	-	-	-	-	GU05653030	1	
2	Screw w/ flange M10x30*	-	-	-	-	AP8152320	2	
3	Pads pair	-	-	-	-	GU05654630	1	
4	Pin+split pin	-	-	-	-	GU05659130	1	
5	Spring	-	-	-	-	GU05659030	1	



Pos.	Description	Year	I_M_	Country	Version	Code	Q.ty	P.Cod.
1	Front brake hose	-	-	-	-	GU05681030	1	
2	Oil pipe screw	-	-	-	-	AP8133594	4	
3	Gasket	-	-	-	-	GU25656100	10	
4	Front brake hose	-	-	-	-	GU05680830	1	
5	ECU/Pump ABS	-	-	-	-	GU05680530	1	
6	Brake hose	-	-	-	-	GU05681130	1	
7	Rear brake hose	-	-	-	-	GU05680930	1	
8	Screw	-	-	-	-	AP8133597	1	
9	Bleeder+cap	-	-	-	-	AP8213113	1	
10	Cable-guide hook	-	-	-	-	AP8202238	4	
11	Cable-guide D5	-	-	-	-	GU05436530	4	
	Cable-guide D8	-	-	-	-	AP8201808	2	
12	Cable-guide D8	-	-	-	-	GU05683130	1	

MOTO GUZZI		NORGE 1200 IE 1200 2006	GU083	01	TAB N.	46		
HEADLIGHT/HORN								
Pos.	Description	Year	I_M	Country	Version	Code	Q.ty	P.Cod.
1	Headlight	-	-	-	-	977130	1	
2	Lamp H112V-55W	-	-	-	-	GU30530557	1	
3	Lamp H3 12V-55W	-	-	-	-	GU30530558	1	
4	Lamp 12V-5W	-	-	-	-	GU93450105	1	
5	Turn indicator	-	-	-	-	AP8127684	1	
6	Turn indicator	-	-	-	-	AP8127683	1	
7	RH transparent lens	-	-	-	-	AP8127701	1	
8	Lamp, orange 12V-10W	-	-	-	-	GU93450126	2	
9	LH transparent lens	-	-	-	-	AP8127702	1	
10	Hex socket screw M4x16	-	-	-	-	AP8150493	2	
11	Horn	-	-	-	-	GU05743730	1	
12	Screw w/ flange M8x16*	-	-	-	-	AP8152285	1	
13	Screw	-	-	-	-	GU98325316	6	

MOTO GUZZI		NORGE 1200 IE 1200 2006	GU083	01	TAB N.	47		
TAILLIGHT								
Pos.	Description	Year	I_M_	Country	Version	Code	Q.ty	P.Cod.
1	Taillight	-	-	-	-	GU05740930	1	
2	Screw w/ flange M5x16	-	-	-	-	AP8152298	4	
3	Bush 5,3x8x7,1	-	-	-	-	AP8221036	4	
4	Rubber spacer *	-	-	-	-	AP8120405	4	
5	Number-plate light	-	-	-	-	AP8212702	1	
6	Plate light wiring	-	-	-	-	AP8124976	1	
7	Self-locking nut M5*	-	-	-	-	AP8152306	2	
8	Rear RH turn indicator	-	-	-	-	GU05751630	1	
9	Turn indicator lens	-	-	-	-	AP8127552	2	
10	Lamp, orange 12V-10W	-	-	-	-	GU93450126	2	
11	Rear LH turn indicator	-	-	-	-	GU05751730	1	
12	Hex socket screw M6x18	-	-	-	-	GU98692318	2	
13	Nut M6x1	-	-	-	-	GU92630206	2	
14	Lamp 12V-5W	-	-	-	-	GU93450105	1	



Pos.	Description	Year	I_M	Country	Version	Code	Q.ty	P.Cod.
1	Main wiring harness	-	-	-	-	977521	1	
2	ECU	-	-	-	-	977676	1	
3	Bush	-	-	-	-	GU05729230	2	
4	Screw w/ flange M6x20	-	-	-	-	AP8152279	6	
5	Rubber spacer *	-	-	-	-	AP8120030	6	
6	T bush *	-	-	-	-	AP8221023	6	
7	Screw w/ flange M6x35	-	-	-	-	AP8152282	2	
8	HT coil	-	-	-	-	GU05716530	2	
9	Coil holder	-	-	-	-	GU05716730	2	
10	Hex socket screw M4X25	-	-	-	-	GU98682125	8	
11	Washer 4,3x8x0,5	-	-	-	-	GU95008204	8	
12	Nut M4x0,7	-	-	-	-	GU92630104	8	
13	HT wire	-	-	-	-	GU05718330	2	
14	Sparkplug cap	-	-	-	-	GU03717450	2	
15	Cap	-	-	-	-	GU14717600	4	
16	Spark plug NGK BPR6ES	-	-	-	-	GU30717061	2	
17	HT wire	-	-	-	-	GU05718331	2	
18	Sparkplug cap	-	-	-	-	GU05717430	2	
19	Spark plug NGK PNR8B	-	-	-	-	GU05717030	2	
20	Phase/revolution sensor	-	-	-	-	GU01721600	1	
21	O-ring	-	-	-	-	GU90706141	1	
22	Gasket 0,4mm	-	-	-	-	GU01722701	1	
	Gasket 0,6mm	-	-	-	-	GU01722702	1	
	Gasket 0,8mm	-	-	-	-	GU01722703	1	
	Gasket 1mm	-	-	-	-	GU01722704	1	
	Gasket 1,5mm	-	-	-	-	GU01722705	1	
	Gasket 0,5 mm	-	-	-	-	GU29722760	1	
	Gasket 0,3mm	-	-	-	-	GU01722700	1	
23	Hex socket screw M5x12	-	-	-	-	GU98682212	2	
24	Washer 5,3x10x0,8	-	-	-	-	GU95008205	2	
25	Oil temperature sensor	-	-	-	-	GU29729461	1	
26	Sensor support	-	-	-	-	GU03163330	1	
27	Washer 10,2X18X2	-	-	-	-	GU95008210	1	

28	Hose clamp 3,6x20,6	-	-	-	-	-	GU14609650	22
	Hose clamp 8,8x185	-	-	-	-	-	GU30609600	1
29	Self-locking nut M6*	-	-	-	-	-	AP8152299	1
30	Switch ABS	-	-	-	-	-	GU05780430	1
31	Air temp. Sensor	-	-	-	-	-	AP8124936	1
32	Wiring motor windshield	-	-	-	GTL-TL	-	977874	1
33	Relay shunt va.siem. A1001A403	-	-	-	GTL-TL	-	GU01731760	2
34	Hex socket screw M5x12	-	-	-	GTL-TL	-	GU98682212	2
35	Nut with clip M4	-	-	-	GTL-TL	-	GU01576531	2



NORGE 1200 IE 1200 2006

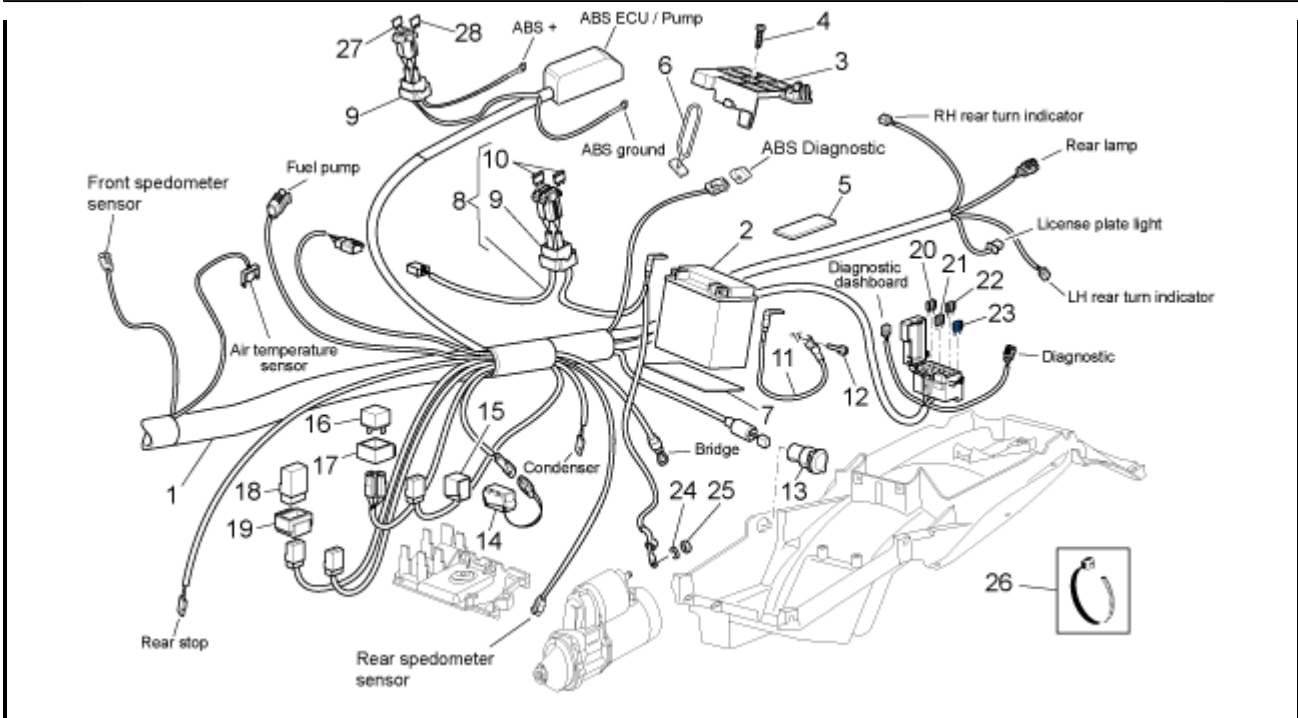
GU083

01

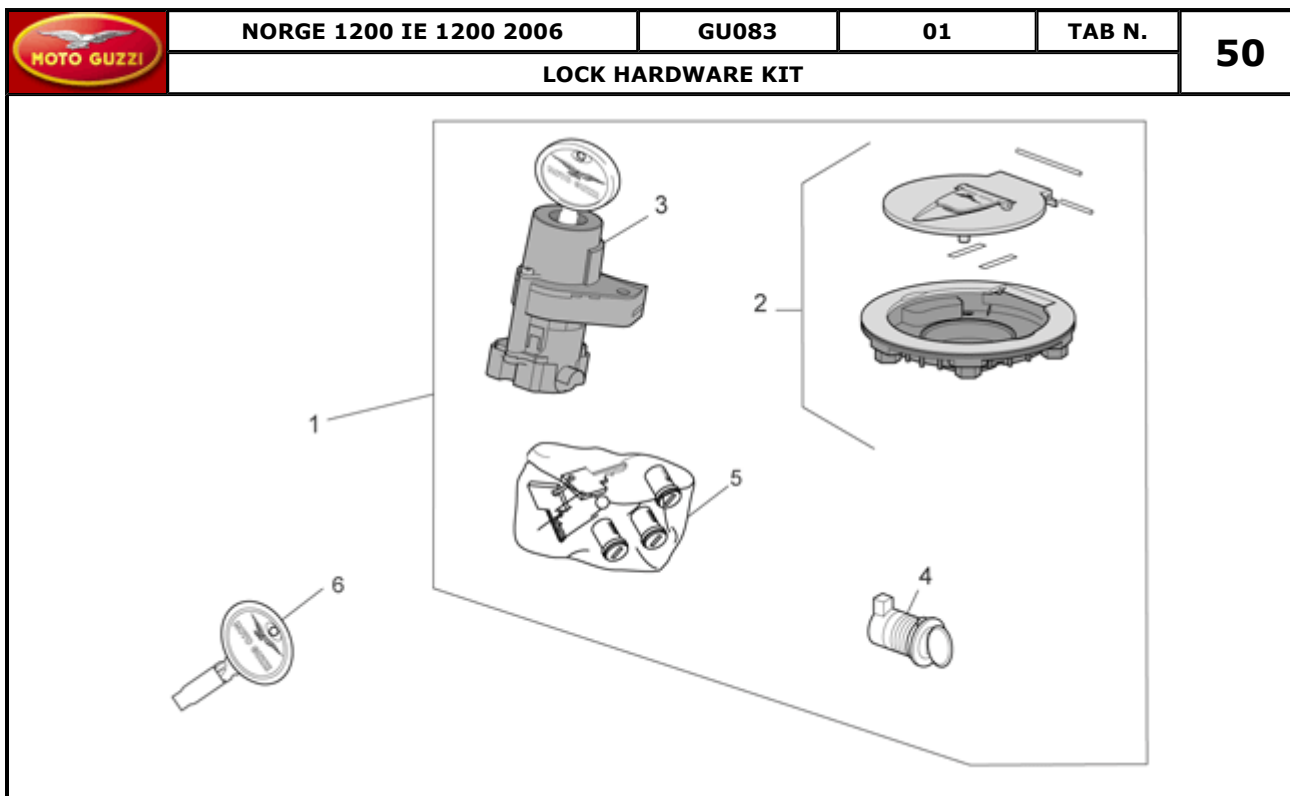
TAB N.

49

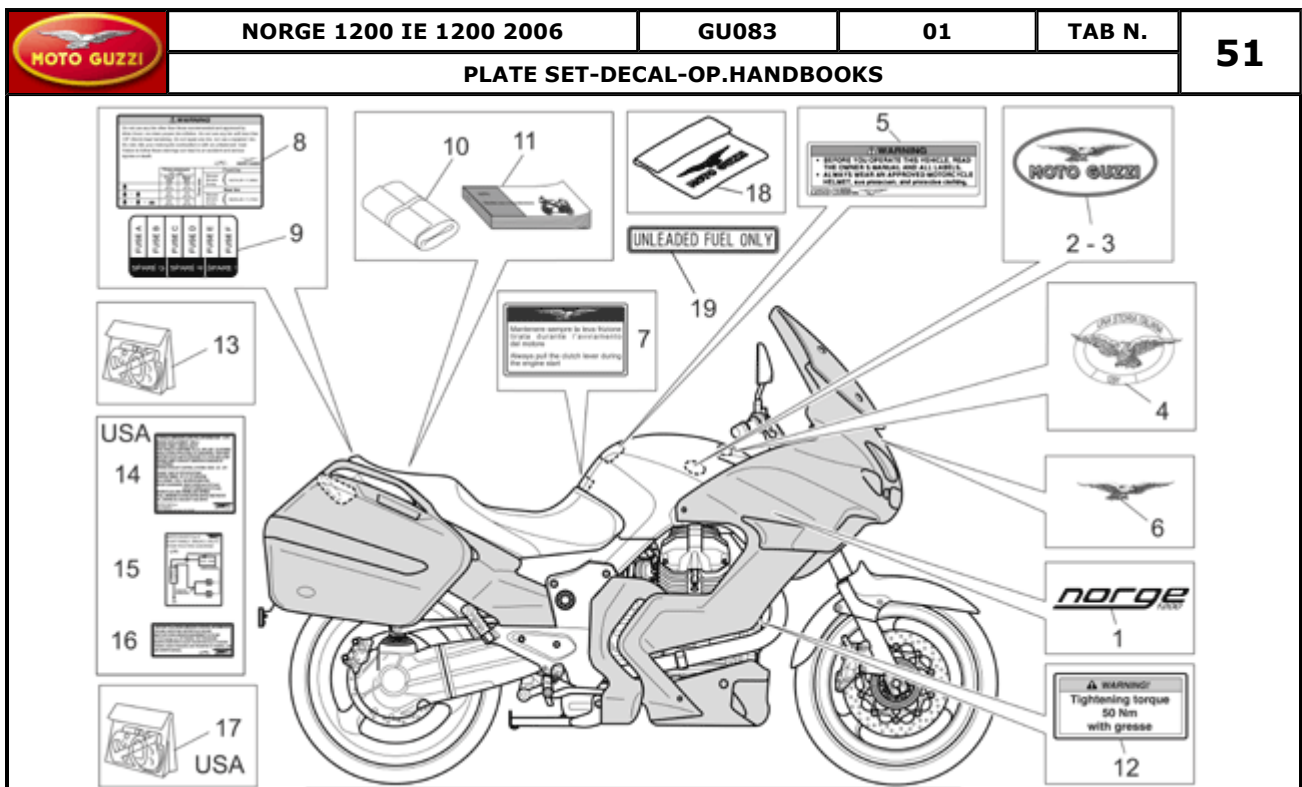
ELECTRICAL SYSTEM II



Pos.	Description	Year	I_M	Country	Version	Code	Q.ty	P.Cod.
1	Main wiring harness	-	-	-	-	977521	1	
2	Battery 12V-20Ah	-	-	-	-	GU05704531	1	
3	Battery cover	-	-	-	-	GU05704630	1	
4	Phillips screw, SWP M5X20	-	-	-	-	AP8152329	2	
5	Adhesive sponge	-	-	-	-	AP8117200	1	
6	Headlight supp.snap	-	-	-	-	AP8120177	2	
7	Support rubber part	-	-	-	-	AP8144553	2	
8	Wiring	-	-	-	-	977520	1	
9	Rubber fuse box	-	-	-	-	AP8112811	2	
10	Fuse 30A	-	-	-	-	GU28742562	3	
11	Ground-battery lead	-	-	-	-	GU05747930	1	
12	Screw w/ flange M6x12*	-	-	-	-	AP8152277	1	
13	Socket	-	-	-	-	AP8124768	1	
14	Inclination sensor	-	-	-	-	AP8124266	1	
15	Rubber sensor support	-	-	-	-	AP8144046	1	
16	Injection relay	-	-	-	-	AP8124869	1	
17	Relay rubber	-	-	-	-	AP8220546	1	
18	Relay 12V/30A	-	-	-	-	AP8224462	3	
19	Rubber spacer *	-	-	-	-	AP8220283	3	
20	Fuse 20A	-	-	-	-	977773	2	
21	Fuse 15A	-	-	-	-	977772	4	
22	Fuse 3A	-	-	-	-	977769	2	
23	Fuse 10A	-	-	-	-	977771	1	
24	Washer 8,4x15x1,7	-	-	-	-	GU95129131	1	
25	Nut M8x1,25	-	-	-	-	GU92609408	1	
26	Hose clamp 3,6x20,6	-	-	-	-	GU14609650	22	
	Hose clamp 8,8x185	-	-	-	-	GU30609600	1	
27	Fuse ABS-25A	-	-	-	-	977761	2	
28	Fuse ABS-40A	-	-	-	-	977762	2	



Pos.	Description	Year	I_M_	Country	Version	Code	Q.ty	P.Cod.
1	Lock hardware kit	-	-	-	-	977666	1	
2	Tank cap	-	-	-	-	GU05103930	1	
3	Main switch - steering lock	-	-	-	-	GU05782530	1	
4	Saddle lock	-	-	-	-	GU05466830	1	
5	Rotor kit with key	-	-	-	-	978220	1	
6	Non indented key blank	-	-	-	-	GU05735530	1	



Pos.	Description	Year	I_M	Country	Version	Code	Q.ty	P.Cod.
1	Stic.silver Norge 1200	-	-	-	-	g/bl 978104	2	
	Black decal Norge 1200	-	-	-	-	e/gr-r/re 977671	2	
2	LH Name plate,red/gold AL	-	-	-	-	GU06917400	1	
3	RH Name plate,red/gold AL	-	-	-	-	GU06917300	1	
4	Decal "Italian Story"	-	-	-	-	GU05917530	1	
5	Decal "Attention"	-	-	-	-	GU30944300	1	
6	"Aquila" decal	-	-	-	-	977682	1	
7	Decal Engine Start	-	-	-	-	GU05944930	1	
8	Tyre pressure decal	-	-	AUS-EU-J-UK	-	GU05926030	1	
9	Sticker "schema fusibili"	-	-	-	-	GU05945030	1	
10	Toolkit	-	-	-	-	GU05909930	1	
11	Operator's handbook	-	-	USA	-	978167	1	
	Operator's handbook I-F-D-NL-E-UK	-	-	AUS-EU-J-UK	-	977526	1	
12	Decal Warning	-	-	-	-	GU05944530	1	
13	Decal set	-	-	-	-	977777	1	
14	Emission control sticker	7	-	USA	-	978190	1	
15	Carbon filter sticker	7	-	USA	-	977577	1	
16	Noise emission sticker	7	-	USA	-	978189	1	
17	Technical decal set	-	-	USA	-	GU05923330	1	
18	Bike cover	-	-	-	-	GU30970200	1	
19	Decal "Unleaded Fuelonly"	-	-	AUS	-	GU03995730	1	